

National High-tech Enterprise
The "Small Giant" Key Enterprise of National Professional, Sophisticated, Distinctive, Innovative
Jiangxi Solid Preparation Manufacturing Equipment Industrial Design Center
Pharmaceutical Solid Preparation Equipment And Information System Supplier



宜春万申制药机械有限公司
YICHUN WANSHEN PHARMACEUTICAL MACHINERY CO., LTD.

- 📍 公司地址
COMPANY ADDRESS
江西宜春市经济技术开发区春风路28号
No.28 Chunfeng Road,Economic and Technological
Development Zone,Yichun City,Jiangxi Province,China
- ☎ 国内业务部
DOMESTIC BUSINESS DEPARTMENT
电话: 0086-795-2197988
手机: 0086-13617058788
邮箱: xiaoshou@wonsen.com.cn
- 🌐 国际业务部
INTERNATIONAL BUSINESS DEPARTMENT
电话: 0086-795-2196639
手机: 0086-15207950627
邮箱: sales@wonsen.com.cn
- ☎ 售后服务部
AFTER SALES SERVICE
电话: 0086-0795-2037036
手机: 0086-15179576893
- 🌐 公司网址
WEB
网址: www.wonsen.com.cn



WONSEN ENTERPRISE
Pharmaceutical Solid Preparation Equipment Solutions





WONSEN ENTERPRISE

Modern industrial park

BRIEF INTRODUCTION

Yichun Wanshen Pharmaceutical Machinery Co., Ltd. was founded in September 2010. Wonsen are the state-level high-tech enterprise, specializing in the research, development, production, sales and service of pharmaceutical equipment and intelligent information system. It provides the global customers with turn-key solution of solid dosage equipment and information management system to make powder, granule, capsule, tablet, etc. Wonsen takes the initiative to combine the solid preparation equipment with the Internet technology. And now Wonsen has become an important industrial base for solid preparation equipment and intelligent information system in China. The machines are sold to many famous domestic users and Europe, the United States, CIS, the Middle East, Southeast Asia and other more than 30 countries and regions.

Our company covers an area of 93,000 square meters, with industry-leading industrial design centers and digital test experience centers built according to EU GMP standard. It has successively cooperated with Zhejiang University, Hunan University, Jiangxi University of Traditional Chinese Medicine and Nanchang University.

Our company takes intelligent information management and lean production site management, carries forward the enterprise spirit of "being humanistic, unremitting, pragmatic, innovative, and keeping exceeding", and advocates the business philosophy of "pursuing high quality, creating value for customers and creating benefits for our company". Adhering to the enterprise style of diligence, pragmatism, trustworthiness and striving for success, it is committed to build a world-class health industry equipment group.



WONSEN ENTERPRISE

Experienced
Professional
All-round service
Problem solver

OFFICE ENVIRONMENT

Wonsen offers employees a platform for creating wealth and happy life. Wonsen respects every employee and holds the concept that talents are the first wealth of our company. Oriented by performance, Wonsen helps employees realize self-value through fair and just competition. Wonsen has created a harmonious and friendly working atmosphere with humanistic enterprise management and sound corporate culture.





ENTERPRISE HONORS



WONSEN ENTERPRISE

Sincerity constructs harmony and wins honors.



VERSATILE STAFF

God rewards those who work hard, it is you who cast Wonsen today with diligence, dedication, writes a new chapter with youth and passion.



INNOVATIVE TEAM

Innovation is the engine for survival and development of enterprise and is the base of corporate cultural spirit of Wonsen. Wonsen is always striving to build an innovative environment, introduce a competition system, enhance innovative conception and improve innovative ability of employees. Our enterprise pays much attention to information orientation, and applies new knowledge and advanced technology into updating product. The research and development ability has been increasingly enhanced, and Wonsen has been more vigorous with new products and technology emerging.



WORKSHOP

Lean management

The strict workshop site management, 6S location management and various operation rules for safe production have become driving force for the development of Wonsen. Wonsen is continuously intensifying the research, development and innovation of core technology, pursuing prominence and keeping improving, ensuring the excellent performance of every single product by advanced production equipment, strict quality control and precise production and inspection procedures.





PRODUCTION FACILITIES

The basis of market competition is inseparable from the improvement of equipment and facilities. In order to manufacture high quality pharmaceutical equipment, Wonsen constantly introduces advanced high-precision production equipment from home and abroad, leading the development of industrial modernization.



WONSEN ENTERPRISE

Strong technology and
exquisite equipment



WONSEN ENTERPRISE
Wonsen is your most trustworthy partner



CUSTOMERS

Faithful customers are the base for Wonsen to survive. "Being sincere, faithful, pioneering and enterprising" is the marketing concept that Wonsen always abides by, and it is our goal to seek for mutual progress with customers.

ENGINEERING CASES

Wonsen has a professional after-sales team with solid theoretical knowledge and rich installation experience. With enthusiasm and active working attitude, we not only provide users with installation, debugging, training, warranty and lifelong service, but also assist users to formulate and optimize process parameters to meet the diverse needs of users.

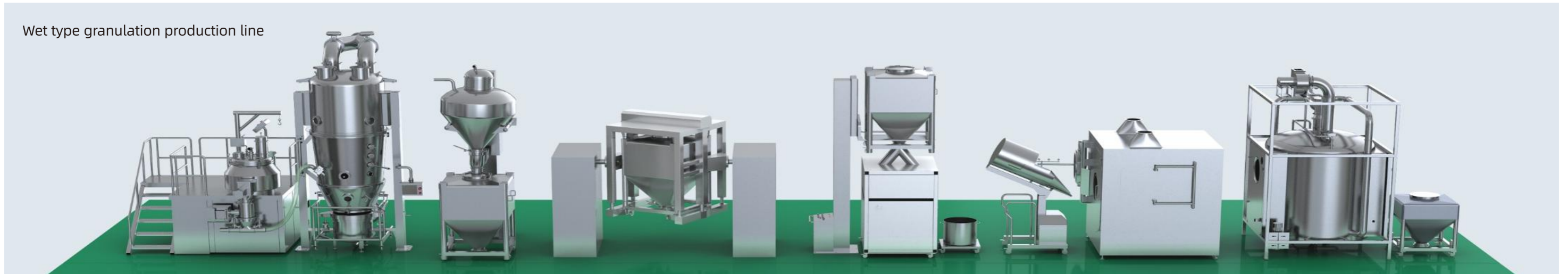


PROCESS FLOW CHART

WONSEN ENTERPRISE

Scientific, professional and elaborate manufacturing is perfectly expressed in every procedure.

Wet type granulation production line



Dry type granulation production line



Dust-free batching production line



PRODUCT CONTENTS



Solid Preparation Granulation Production Line

- 22 Closed Granulation Line

Wet Type Series

- 23 SHLG High Shear Mixer Granulator
- 24 SHL Rapid Mixer Granulator
- 25 SHLS Lab Rapid Mixer granulator

Fluidized Bed Series

- 26 FL Fluid Bed Granulator
- 27 FG Fluid Bed Dryer
- 28 DPL Multifunctional Fluid Bed Granulator
- 29 DPLS Lab Multifunctional Fluid Bed Granulator

Cone mill series

- 30 JTZ Lifting Turnover Dry Cone Mill
- 31 ZLZ Lifting Vacuum Dry Cone Mill
- 32 FZM Grinding Dry Cone Mill
- 33 ZLJ Moveable Multi-mill

Dry Method Series

- 34 LG Roller Compactor



Blender Series

- 35 ZTH Automatic Lifting Bin Blender
- 36 HF Square Cone Bin Blender
- 37 HLT Single Column Lifting Bin Blender
- 38 HLS Lab Bin Blender

Coating Series

- 39 BGB-F High-efficiency Coating Machine
- 40 BGB-D High-efficiency Coating Machine
- 41 BGB-S Lab Coating Machine
- 42 BGB-M Containment Coating Machine

Lifting Series

- 43 YTG Fixed Lifting Machine
- 44 YTY Moveable Lifting Machine
- 45 CT Lifting Machine Among Floors

Cleaning Series

- 46 ZLXHD Multifunctional Bin Cleaning Machine
- 47 ZLXHS Double Chamber Bin Cleaning Machine
- 48 QXY Moveable Cleaning Machine
- 49 ZQX Auto CIP Machine
- 50 QXD Vertical Bin Cleaning Machine

Bin Series

- 51 IBC Bins
- 52 Accessories

Closed Granulation Line



YouTube QR Code

Application

The closed granulation line has the functions of granulating, drying and cone mill. It is mainly used for powder granulation in the pharmaceutical, food, chemical and other industries.

Features

- ▲ Wall mounted design, space saving
- ▲ Closed transferring, improving operation efficiency and reducing the risk of material exposure
- ▲ Can set for batch continuous automatic production, making the production process more in line with GMP requirements
- ▲ Process control and PAT
- ▲ CIP cleaning
- ▲ Control system can optionally complying 21CFR Part11 requirements



Technical Parameter

Item	Model	60	120	200
Production capacity (kg/batch)		15-60	50-120	120-200

Note: Our company can customize products according to user requirements.

High Shear Mixer Granulator



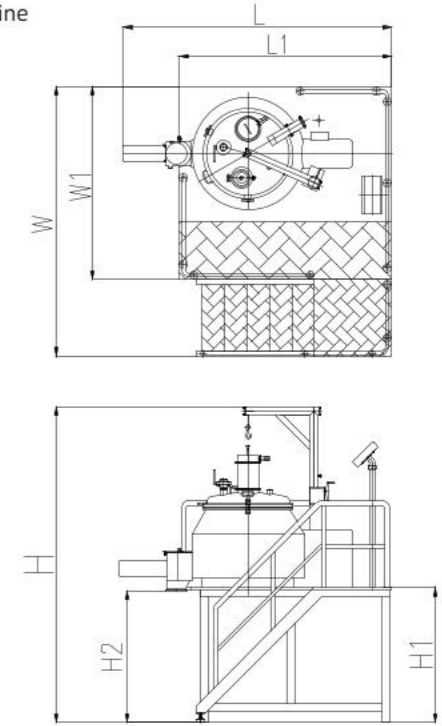
YouTube QR Code

Application

It has many functions such as mixing, granulating, wet cone mill, etc. It has been widely used in pharmaceutical, food, chemical industry, etc.

Features

- ▲ Higher working platform, better for connecting with FBD to discharge
- ▲ Compact structure
- ▲ Tangential impeller
- ▲ WIP system
- ▲ Good reproducibility
- ▲ Can connect with fluid bed dryer to form a fully closed granulating production line
- ▲ Fully meet FDA,CGMP,GMP
- ▲ Control system can optionally complying 21CFR Part11 requirements



Technical Parameter

Item	Model	SHLG-100	SHLG-150	SHLG-200	SHLG-300	SHLG-400	SHLG-500	SHLG-600	SHLG-800	SHLG-1000
Production capacity(kg/batch)		20-40	30-60	40-80	60-120	80-160	100-200	120-240	160-320	200-400
Mixing motor power (kW)		11	15	22	30	30	37	45	55	75
Mixing impeller rotation speed(rpm)		0-200	0-200	0-200	0-200	0-200	0-170	0-170	0-150	0-120
Granulating motor power(kW)		4	5.5	5.5	7.5	7.5	7.5	7.5	11	15
Granulating chopper speed (rpm)		0-2900	0-2900	0-2900	0-2900	0-2900	0-2900	0-2900	0-2900	0-2900
Wet Co-mill power(kW)		2.2	2.2	3	4	4	5.5	5.5	5.5	5.5
Wet Co-mill rotation speed(rpm)		0-900	0-900	0-900	0-900	0-900	0-900	0-900	0-900	0-900
Compressed air consumption(m ³ /min)		0.4	0.4	0.6	0.6	0.6	1	1	1	1
Compressed air pressure (MPa)		0.3-0.6	0.3-0.6	0.3-0.6	0.3-0.6	0.3-0.6	0.3-0.6	0.3-0.6	0.3-0.6	0.3-0.6
Weight(kg)		1200	1500	1800	2000	2200	2500	3000	3500	4000
Dimensions (mm)	L	2200	2365	2580	2580	2605	2780	2780	2980	3180
	L1	1800	1800	2000	2000	2000	2200	2300	2500	2700
	W	2300	2400	2400	2600	2600	2800	2800	2900	3100
	W1	1500	1600	1600	1800	1800	2000	2000	2100	2300
	H	2600	2600	3050	3050	3050	3050	3050	3250	3350
	H1	1400	1400	1400	1400	1400	1400	1400	1400	1600
H2	1360	1360	1360	1360	1360	1370	1370	1370	1570	1570

Note: Our company can customize products according to user requirements.

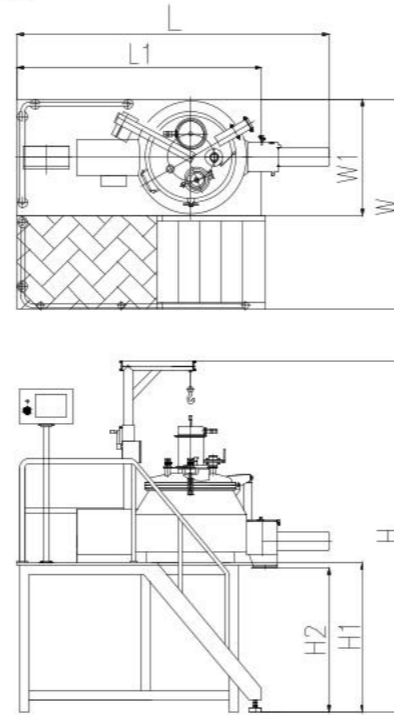
Rapid Mixer Granulator

Application

It has many functions such as mixing, granulating, etc. It has been widely used in pharmaceutical, food, chemical industry, etc.

Features

- ▲ Lower working platform, mainly suitable for lower room height
- ▲ Compact structure
- ▲ Tangential impeller
- ▲ WIP system
- ▲ Good reproducibility
- ▲ Can connect with fluid bed dryer to form a fully closed granulating production line
- ▲ Fully meet FDA,CGMP,GMP
- ▲ Control system can optionally complying 21CFR Part11 requirements



Technical Parameter

Item	Model	SHL-100	SHL-150	SHL-200	SHL-300	SHL-400	SHL-500	SHL-600	SHL-800
Production capacity(kg/batch)		20-40	30-60	40-80	60-120	80-160	100-200	120-240	160-320
Mixing motor power(kW)		11	15	22	30	30	37	45	55
Mixing impeller rotation speed(rpm)		0-200	0-200	0-200	0-200	0-200	0-170	0-170	0-150
Granulating motor power(kW)		4	5.5	5.5	7.5	7.5	7.5	7.5	11
Granulating chopper speed(rpm)		0-2900	0-2900	0-2900	0-2900	0-2900	0-2900	0-2900	0-2900
Compressed air consumption(m ³ /min)		0.4	0.4	0.6	0.6	0.6	1	1	1
Compressed air pressure (MPa)		0.3-0.6	0.3-0.6	0.3-0.6	0.3-0.6	0.3-0.6	0.3-0.6	0.3-0.6	0.3-0.6
Weight (kg)		1000	1300	1600	1800	2000	2200	2700	3200
Dimensions (mm)	L	2300	2465	2580	2680	2705	2880	2880	3080
	L1	1900	1900	2000	2100	2100	2300	2400	2600
	W	1600	1600	1800	1800	2000	2150	2150	2200
	W1	900	900	1000	1000	1200	1350	1350	1400
	H	2500	2550	2930	2930	2930	3050	3050	3250
	H1	1050	1050	1280	1280	1280	1400	1400	1600
	H2	1010	1010	1240	1240	1240	1370	1370	1570

Note: Our company can customize products according to user requirements.

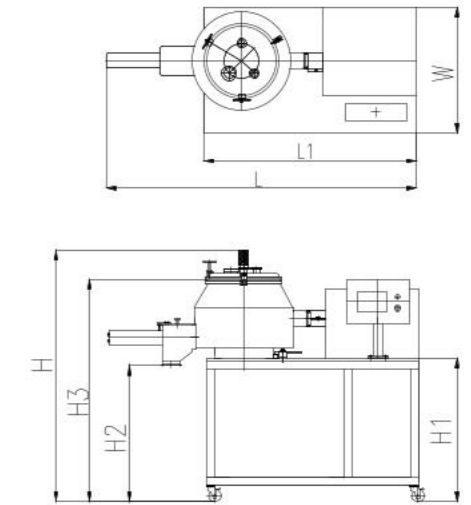
Lab Rapid Mixer Granulator

Application

The machine is mainly suitable for small batch granulation process in the R&D. The powder material and the binder are mixing at high speed by the mixing impeller inside the granulating pot, and then cutting into uniform wet granules by the side high speed chopper. The purpose of the granules is one of the process equipment commonly used in the production of solid preparations in the pharmaceutical industry, and is widely used in the pharmaceutical, food, chemical and other industries.

Features

- ▲ Movable with heavy duty wheels, with brake
- ▲ Compact structure and space saving
- ▲ Good reproducibility and safety interlocking system
- ▲ With interchangeable granulating pots for different capacity
- ▲ Can optionally with transparent glass pot lid for better viewing
- ▲ Fully meet FDA,CGMP,GMP
- ▲ Control system can optionally complying 21CFR Part11 requirements



Technical Parameter

Item	Model	SHLS-1	SHLS-3	SHLS-6	SHLS-10	SHLS-15	SHLS-25	SHLS-50
Production capacity(kg/batch)		0.2-0.4	0.6-1.2	1.2-2.4	2-4	3-6	5-10	10-20
Mixing motor power(kW)		1.1	1.1	1.1	1.5	4	4	4
Mixing impeller rotation speed(rpm)		0-400	0-400	0-400	0-400	0-220	0-220	0-220
Granulating motor power(kW)		0.75	0.75	0.75	1.1	2.2	2.2	2.2
Granulating chopper speed(rpm)		0-2840	0-2840	0-2840	0-2840	0-2840	0-2840	0-2840
Compressed air consumption(m ³ /min)		0.1	0.1	0.1	0.1	0.3	0.3	0.3
Compressed air pressure (MPa)		0.3-0.6	0.3-0.6	0.3-0.6	0.3-0.6	0.3-0.6	0.3-0.6	0.3-0.6
Weight(kg)		220	250	270	300	400	430	450
Dimensions (mm)	L	1375	1400	1425	1450	1530	1580	1630
	L1	1000	1000	1000	1000	1100	1100	1100
	W	700	700	700	700	750	750	750
	H	1100	1110	1120	1140	1250	1300	1600
	H1	750	750	750	750	750	750	750
	H2	730	730	730	730	720	720	720

Note: Our company can customize products according to user requirements.

Fluid Bed Granulator



Application

The machine is a process machine widely applied for solid preparation production in the pharmaceutical industry. It has mixing, drying, granulating functions. It is also widely used in such industries as medicine, chemical industry, food, etc.

Features

- ▲ With top spraying system for granulation
- ▲ Two heating modes alternative, such as electric heating or steam heating
- ▲ PID precision control
- ▲ High processing efficiency, with closed online sampling
- ▲ Ex-proof system/anti-10 or 12 bar/final dedusting system/dehumidifier system are available
- ▲ WIP system/PAT are available
- ▲ Fully meet FDA, CGMP, GMP
- ▲ Control system can optionally complying 21CFR Part11 requirements



Technical Parameter

Item	Model	FL-15	FL-30	FL-60	FL-120	FL-200	FL-300	FL-500
Material chamber volume(L)		45	100	220	330	577	980	1530
Production capacity(kg/batch)		5-15	15-30	30-60	60-120	120-200	200-300	300-500
Fan power(kW)		7.5	11	18.5/22	22/30	30/37	37/45	75
Electric heating power(kW)		30	30	30	45	80	90	120
Steam pressure (MPa)		0.4-0.6	0.4-0.6	0.4-0.6	0.4-0.6	0.4-0.6	0.4-0.6	0.4-0.6
Steam consumption (kg/h)		180	180	300	360	420	480	677
Compressed air pressure (MPa)		0.4-0.6	0.4-0.6	0.4-0.6	0.4-0.6	0.4-0.6	0.4-0.6	0.4-0.6
Compressed air consumption(m ³ /min)		0.4	0.9	0.9	1.0	1.0	1.5	1.8
Weight (kg)		800	1000	1200	1400	2000	2500	3500
Dimensions (mm)	H	3114	3234	4154	4708	4840	5365	6000
	H1	1850	1850	1850	1850	1850	1850	1850
	ΦD	578	772	1022	1024	1378	1580	1868
	W	984	984	1340	1540	1540	1840	2240

Note: Our company can customize products according to user requirements.

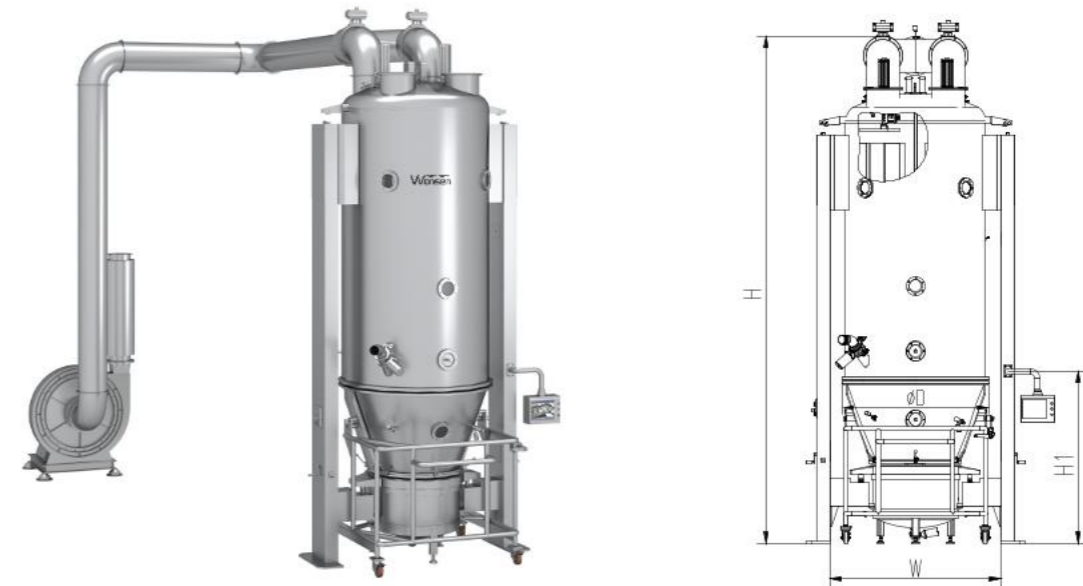
Fluid Bed Dryer

Application

The machine is a process machine widely applied for solid preparation production in the pharmaceutical industry. It has mixing and drying functions. It is also widely used in such industries as medicine, chemical industry, food, etc.

Features

- ▲ Two heating modes alternative, such as electric heating or steam heating
- ▲ PID precision control
- ▲ High processing efficiency, with closed online sampling
- ▲ Ex-proof system/anti-10 or 12 bar/final dedusting system/dehumidifier system are available
- ▲ WIP system/PAT are available
- ▲ Fully meet FDA, CGMP, GMP
- ▲ Control system can optionally complying 21CFR Part11 requirements



Technical Parameter

Item	Model	FG-15	FG-30	FG-60	FG-120	FG-200	FG-300	FG-500
Material chamber volume(L)		45	100	220	330	577	980	1530
Production capacity (kg/batch)		5-15	15-30	30-60	60-120	120-200	200-300	300-500
Fan power(kW)		7.5	11	18.5/22	22/30	30/37	37/45	75
Electric heating power(kW)		30	30	30	45	80	90	120
Steam pressure (MPa)		0.4-0.6	0.4-0.6	0.4-0.6	0.4-0.6	0.4-0.6	0.4-0.6	0.4-0.6
Steam consumption (kg/h)		180	180	300	360	420	480	677
Compressed air pressure (MPa)		0.4-0.6	0.4-0.6	0.4-0.6	0.4-0.6	0.4-0.6	0.4-0.6	0.4-0.6
Compressed air consumption(m ³ /min)		0.4	0.9	0.9	1.0	1.0	1.5	1.8
Weight(kg)		800	1000	1200	1400	2000	2500	3500
Dimensions (mm)	H	3114	3234	4154	4708	4840	5365	6000
	H1	1850	1850	1850	1850	1850	1850	1850
	ΦD	578	772	1022	1024	1378	1580	1868
	W	984	984	1340	1540	1540	1840	2240

Note: Our company can customize products according to user requirements.

Multifunctional Fluid Bed Granulator

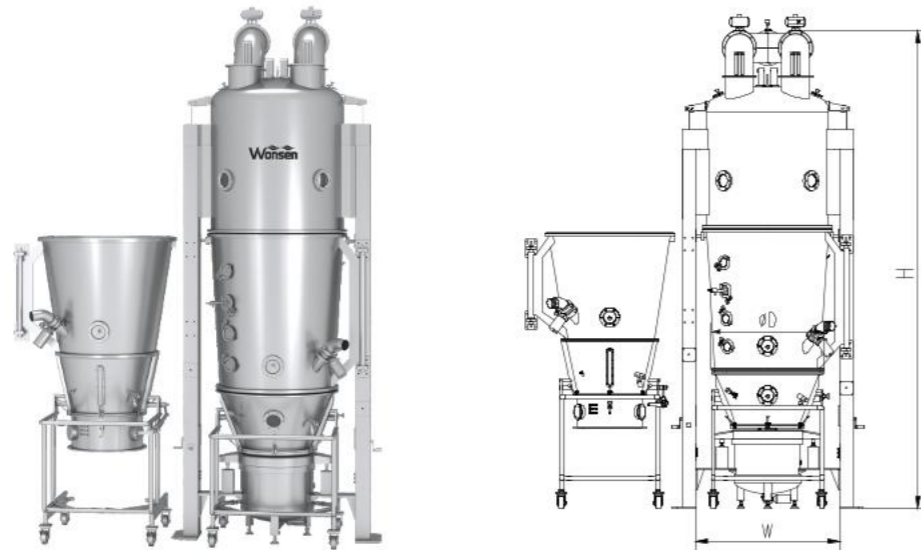


Application

The machine is a process machine widely applied for solid preparation production in the pharmaceutical industry. It has mixing, drying, top granulating and bottom coating functions. It is also widely used in such industries as medicine, chemical industry, food, etc.

Features

- ▲ With top spray for granulating and bottom spray for pellet coating
- ▲ Two heating modes alternative, such as electric heating or steam heating
- ▲ PID precision control
- ▲ High processing efficiency, with closed online sampling
- ▲ Ex-proof system/anti-10 or 12 bar/final dedusting system/dehumidifier system are available
- ▲ WIP system/PAT are available
- ▲ Fully meet FDA, CGMP, GMP
- ▲ Control system can optionally complying 21CFR Part11 requirements



Technical Parameter

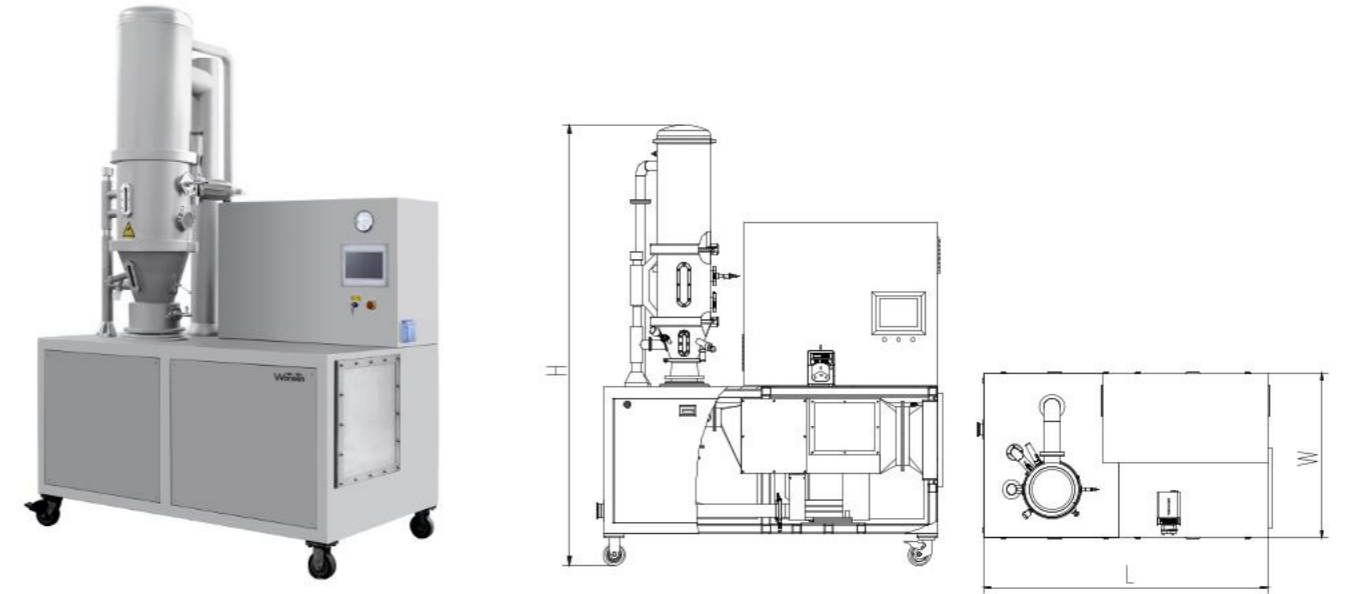
Item	Model	DPL-30	DPL-60	DPL-120	DPL-200	DPL-300
Chamber volume (L)	Bottom spray	80	150	330	417	760
	Top spray	100	220	330	577	980
Production capacity (kg/batch)	Bottom spray	15-20	15-30	30-60	60-100	100-190
	Top spray	15-30	30-60	60-120	120-200	200-300
Fan power(kW)		11	18.5/22	22/30	30/37	37/45
Electric heating power(kW)		30	30	45	80	90
Steam pressure (MPa)		0.4	0.4-0.6	0.4-0.6	0.4-0.6	0.4-0.6
Steam consumption (kg/h)		180	300	360	420	481
Compressed air pressure(MPa)		0.4-0.6	0.4-0.6	0.4-0.6	0.4-0.6	0.4-0.6
Compressed air consumption(m ³ /min)		0.6	0.9	1	1	1.5
Main machine weight(kg)		1200	1600	1800	2300	2500
Dimensions (mm)	H	3374	4353	4908	5040	5865
	ΦD	772	1022	1024	1378	1580
	W	984	1340	1540	1540	1840

Note: Our company can customize products according to user requirements.

Lab Multifunctional Fluid Bed Granulator

Application

It has many functions such as mixing, drying, top spraying granulation, bottom spraying coating, etc. It has been widely used in pharmaceutical, food, chemical industry, etc.



Technical Parameter

Item	Model	DPLS-1	DPLS-3	DPLS-5
Chamber volume(L)	Top spray	3	9	16
	Bottom spray	3	9	14
Production capacity (kg/batch)	Top spray	0.3-1	1-3	3-5
	Bottom spray	0.3-0.75	1-2	1-3
Compressed air	Pressure(MPa)	0.4-0.6		
	Air consumption (m ³ /min)	0.15	0.6	0.6
Electric heating power(kW)		4	9	12
Hot air temperature adjusting range (°C)		normal temperature~120		
Hot air filtering precision		HEPA		
Fan power(kW)		2.2	5.5	7.5
Dimensions (mm)	W	855	1100	1200
	H	2375	2510	2825
	L	1600	1900	2100
	ΦD	256	300	400
Referenced weight (kg)		700	800	850

Note: Our company can customize products according to user requirements.

Lifting Turnover Dry Cone Mill

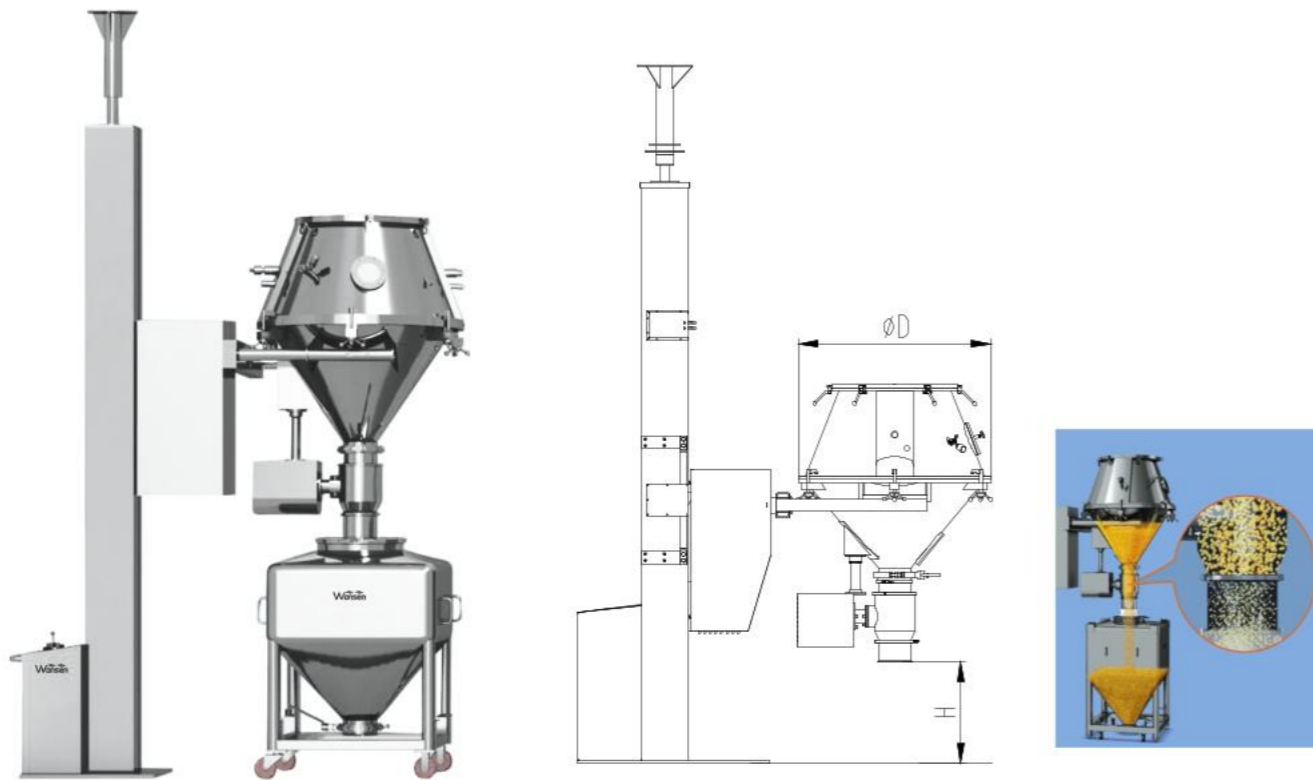


Application

The machine is mainly used for dry cone milling, transferring, discharging solid materials, can be matched with FBG or FBD bowls. It has been widely used in pharmaceutical, food and chemical industry.

Features

- ▲ Labor saving and efficient process flow
- ▲ Less material loss and minimum damage to granules
- ▲ Can be connecting with FBD bowl and transferring and discharging automatically
- ▲ On-line cone mill solution
- ▲ Hermetical gravity discharging solution at various height by lifting system
- ▲ Button panel control



Technical Parameter

Item	Model	JTZ-60	JTZ-120	JTZ-200	JTZ-300	JTZ-500
Net load(kg)		60	120	200	300	500
Lifting motor power (kW)		3	3	3	3	3
Turning rotation motor power(kW)		0.75	0.75	1.1	1.1	1.1
Milling motor power(kW)		3	3	3	3	4
Dry screen size(mm)		d0.6-3	d0.6-3	d0.6-3	d0.6-3	d0.6-3
Capacity (kg/h)		450	450	450	450	700
Weight (kg)		900	1000	1100	1200	1600
Dimensions (mm)	ΦD	1022	1204	1378	1580	1700
	H	Designed according to process requirements				

Note: Our company can customize products according to user requirements.

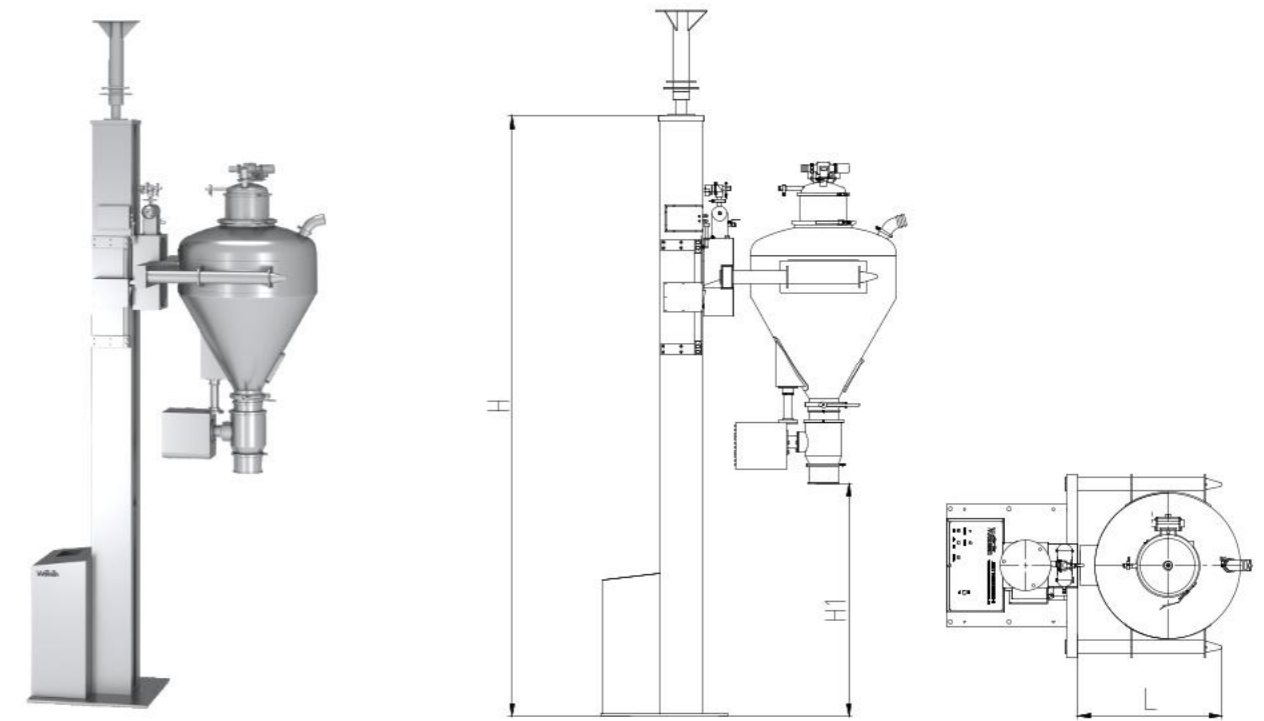
Lifting Vacuum Dry Cone Mill

Application

The machine is mainly used for vacuum conveying, dry cone milling, discharging solid materials. It has been widely used in pharmaceutical, food and chemical industry.

Features

- ▲ Labor saving and efficient process flow
- ▲ Dust free and no cross contamination
- ▲ Integrated with vacuum conveyer
- ▲ Can be closed vacuum connecting with FBD and transferring and discharging automatically
- ▲ On-line milling solution
- ▲ Hermetical gravity discharging solution at various height by lifting system
- ▲ HMI and PLC auto control



Technical Parameter

Item	Model	ZLZ-100	ZLZ-200	ZLZ-300	ZLZ-400	ZLZ-500	ZLZ-700	ZLZ-1000
Lifting motor power (kW)		3	3	3	3	3	3	3
Milling motor power(kW)		1.1	3	3	3	3	4	4
Dry screen size(mm)		d0.6-3	d0.6-3	d0.6-3	d0.6-3	d0.6-3	d0.6-3	d0.6-3
Capacity (kg/h)		100	450	450	450	450	700	700
Dimensions (mm)	H	Designed according to user requirements						
	H1							
	L							

Note: Our company can customize products according to user requirements.

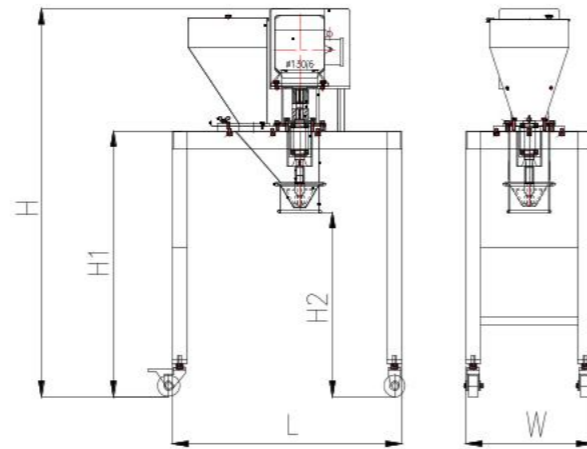
Grinding Dry Cone Mill

Application

The machine is mainly used for dry cone milling solid materials. It has been widely used in pharmaceutical, food and chemical industry.

Features

- ▲ Labor saving and efficient process flow
- ▲ Easy control of granule size
- ▲ Easy to clean and no overheating of materials
- ▲ Little dust and low noise
- ▲ High efficiency and energy saving
- ▲ Moveable design



Technical Parameter

Item	Model	FZM-100	FZM-300	FZM-450	FZM-700	FZM-1000
Motor power (kW)		1.5	2.2	3	4	5.5
Screen size(mm)		d0.6-3	d0.6-3	d0.6-3	d0.6-3	d0.6-3
Capacity(kg/h)		100	300	450	700	1000
Dimensions (mm)	H	1370	1410	1450	1650	1720
	H1	937	897	954	1104	1254
	H2	650	650	650	700	700
	L	810	810	920	1000	1100
	W	445	445	445	600	600

Note: Our company can customize products according to user requirements.

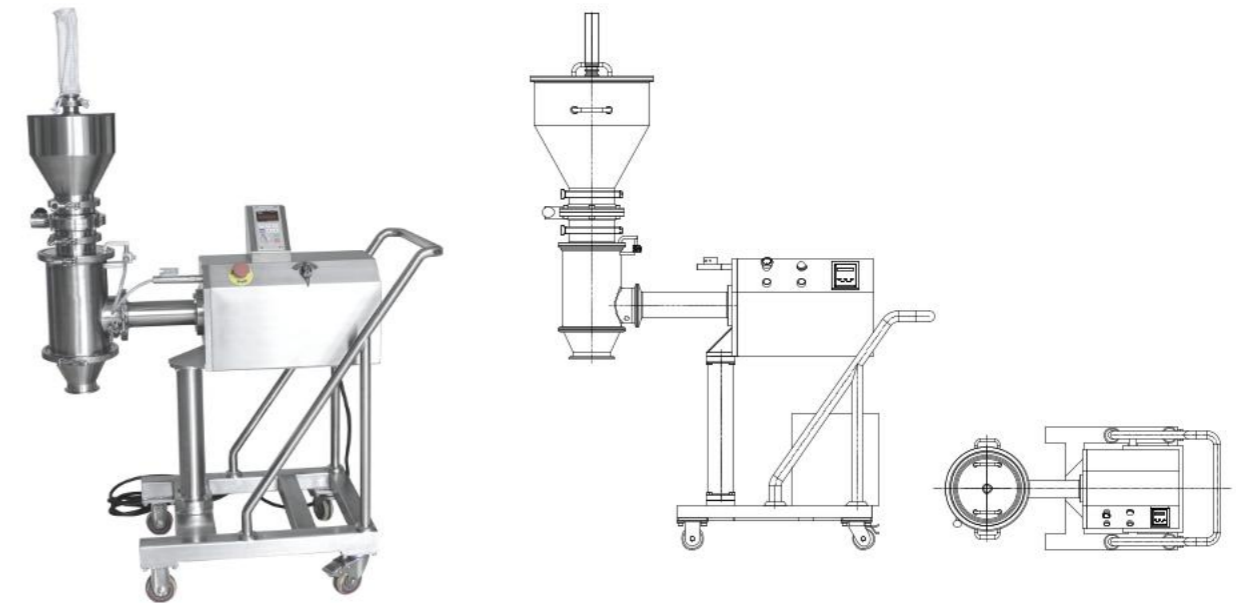
Moveable Multi-mill

Application

The machine uses the high-speed relative movement between the rotor and the screen to quickly mill the lump-shaped materials under the rollers and pass through the sieve holes to form granules. The finished granules are discharged instantaneously. The frequency conversion speed regulation is adopted, and the spindle speed is adjustable. The range is wide, the lower drive is adopted, and the feeding is smooth. It can be used with high shear mixer granulator and fluid bed dryer respectively.

Features

- ▲ Optional with lifting device for ± 100 mm to connect with high shear mixer granulator
- ▲ Available for both wet and dry cone mill
- ▲ It can be equipped with a quantitative feeding mechanism to improve the consistency of granule size
- ▲ The opening of the screen hole is as small as $\phi 0.4$ mm, the opening rate is high, and there is no dead corner
- ▲ The cone mill granule size is fine, and the material passing rate is high
- ▲ Effectively reduce the occurrence of material heating and is easy to clean
- ▲ With movable wheels with brake



Technical Parameter

Item	Model	ZLJ-125	ZLJ-150	ZLJ-200	ZLJ-250	ZLJ-270
Production capacity (kg/h)		<250	200-500	500-1500	1500-2500	1500-3000
Motor power(kW)		1.5	2.2	4	4	4
Power supply (v/Hz)		220/50	380/50	380/50	380/50	380/50
Max rotation speed(rpm)		2000	1450	960	960	960
Total power(kW)		1.5	2.2	4	4	4
Dimensions(mm)		1150*450*1500	1250*650*1600	1600*700*1600	1600*700*1600	1600*700*1600
Weight(kg)		150 \pm 5	220 \pm 5	270 \pm 5	300 \pm 5	320 \pm 5

Note: Our company can customize products according to user requirements.

Roller Compactor



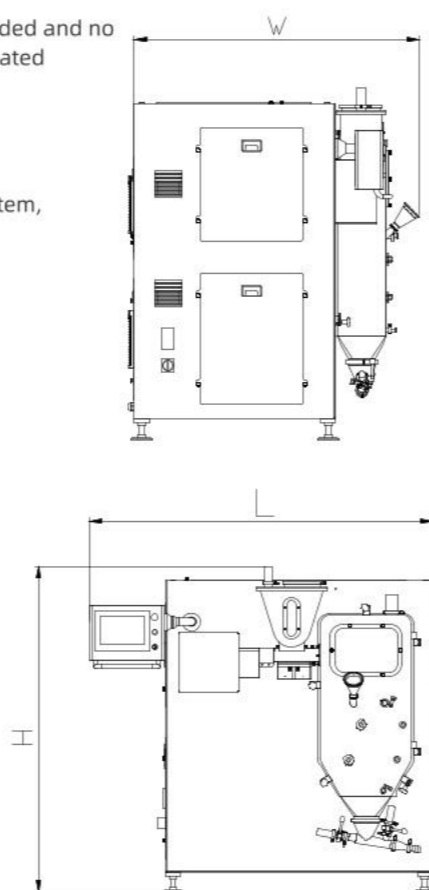
YouTube QR Code

Application

Roller compactor adopts continuous loading and discharging, integrates the compacting, cutting and granulating mill functions, directly makes powder into granules. It is especially suitable for granulation of materials which are thermo-sensitive and humidity sensitive, easily broken down or agglomerated. It has been widely used in pharmaceutical, food, chemical and other industries. In the pharmaceutical industry, granules made by the roller compactor can be directly pressed into tablets or filled into capsules.

Features

- ▲ 3 functions in one unit: compacting, cutting, granulating mill
- ▲ Simplified process to obtain highly stable granules. No water or other liquid is added and no need drying, so the loss of active ingredients due to decomposition can be eliminated
- ▲ Rollers with a water circulating cooling system
- ▲ Rollers available with different types: smooth, anilox, curl
- ▲ Overall modular design, compact structure, better space utilization
- ▲ The power area is separated from the work area to prevent cross contamination
- ▲ Horizontal screw feeding structure, exposed installation of compacting roller system, easy to clean&maintain
- ▲ With vacuum air exhaust for feeding system
- ▲ Fully meet GMP requirements
- ▲ Control system complying 21 CFR Part 11 requirements



Technical Parameter

Item	Model	LG-15	LG-30	LG-60	LG-100	LG-200	LG-300
Loading capacity (kg/h)		15	30	60	100	200	300
Total power (kW)		3	3.5	11.5	13	16.5	27
Max pressure of roller (MPa)		13	13	25	25	25	25
Water chiller power (kW)		1.46	1.46	1.46	1.46	1.46	1.46
Weight (kg)		800	1000	2200	2600	3600	5000
Dimensions (L*W*H)(mm)		1020*1120*1620	1200*920*1600	1580*1100*1600	1899*1377*1846	2066*1460*1958	2000*3800*3300

Note: Our company can customize products according to user requirements

Automatic Lifting Bin Blender



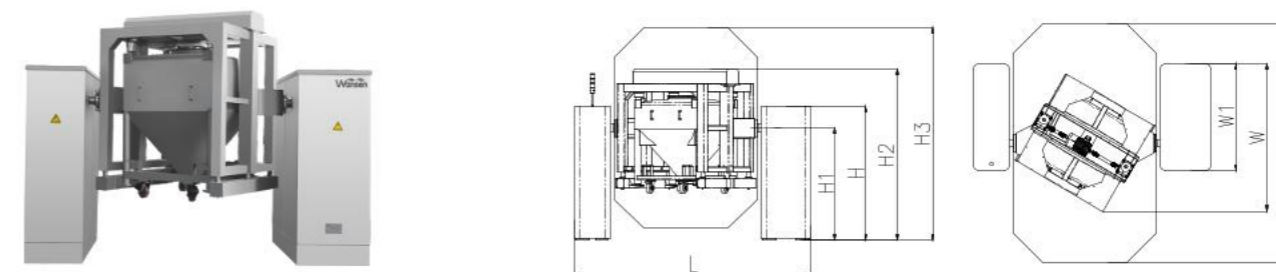
YouTube QR Code

Application

The machine is provided with such functions as automatic lifting, mixing, positioning, etc. One bin blender can be with interchangeable mixing bins of different specifications, it can meet the mixing requirements of different batches and diversified varieties of products. It is an ideal machine for mixing in pharmaceutical plants. It is also widely used in such industries as medicine, chemical industry, food, etc.

Features

- ▲ Reasonable structure, stable performance, convenient operation, no need corners, and no exposed bolts
- ▲ With interchangeable mixing bins of different volume for various capacity
- ▲ The rotating body (mixing bin) symmetry plane is at an angle of 30° to the rotation axis. The material in the mixing bin rotate along with the rotating body and make tangential movement along the hopper walls, producing strong turning and high-speed tangential movement and achieving the best mixing effect
- ▲ It is provided with the infrared safety device and the discharging butterfly valve with misoperation preventer to ensure safe production
- ▲ One machine can be equipped with interchangeable bins of various specifications
- ▲ This machine is equipped with multiple safety interlocking mechanisms
- ▲ The machine effectively controls dust pollution and cross contamination, reduces loss of Material, controls material layering, optimized production processes
- ▲ Meet GMP requirements
- ▲ Adopt HMI and PLC auto control system, can optionally comply 21 CFR Part 11 requirements



Technical Parameter

Item	Model	ZTH-400	ZTH-600	ZTH-800	ZTH-1000	ZTH-1200	ZTH-1500	ZTH-2000
Bin volume (L)		400	600	800	1000	1200	1500	2000
Max loading volume (L)		320	480	640	800	960	1200	1600
Max loading weight (kg)		200	300	400	500	600	750	1000
Mixing rotation speed (rpm)		3-18	3-18	3-18	3-15	3-15	3-15	3-15
Mixing rotation motor power (kW)		5.5	5.5	5.5	5.5	5.5	7.5	11.0
Lifting motor power (kW)		1.5	1.5	1.5	2.2	3.0	4	4
Referenced Weight (kg)		1800	2500	2800	3000	3200	3600	4200
Dimensions (mm)	H	1780	1780	1880	2070	2150	2240	2410
	H1	1390	1390	1590	1730	1800	1900	2070
	H2	2260	2260	2460	2660	2800	2970	3320
	H3	2710	2710	2940	3200	3350	3500	3810
	L	3290	3290	3290	3660	3710	3910	4010
	W	2150	2150	2150	2300	2300	2300	2300
	W1	1650	1650	1650	1650	1650	1650	1650
	W2	2360	2360	2700	2940	3100	3200	3480

Note: Our company can customize products according to user requirements

Square Cone Bin Blender



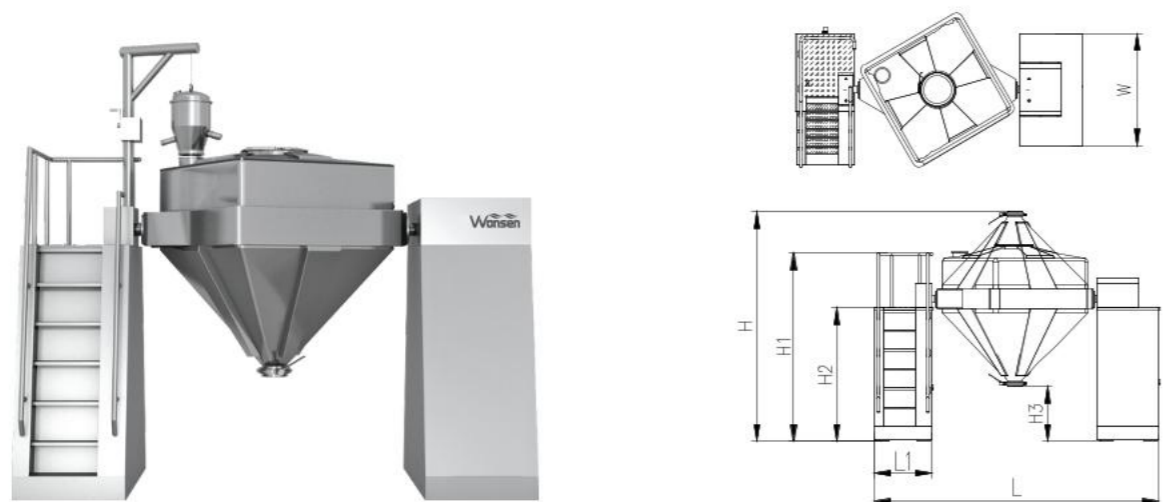
YouTube QR Code

Application

This machine is developed in combination with the characteristics of a variety of mixers and is suitable for a wide range of mixers. It fully meets GMP requirements and other relevant industry standards. It is especially suitable for the mixing process of products with relatively single varieties and large batch sizes. Such as: pharmaceutical, food, dairy, chemical reagents and other solid preparation industries.

Features

- ▲ With reasonable design, compact structure, can reach mixing uniformity 99% and 80% max loading coefficient
- ▲ It has such features as high rotation height, stable running, reliable performance and easy operation
- ▲ Easy discharging and cleaning, no dead corners and without cross contamination
- ▲ Suitable for large production capacity, simple operation
- ▲ With fixed bin, stable running
- ▲ Meet GMP requirements
- ▲ Adopt HMI and PLC auto control system, can optionally comply 21 CFR Part 11 requirements



Technical Parameter

Item	Model	HF-300	HF-400	HF-600	HF-800	HF-1000	HF-1200	HF-1500	HF-2000	HF-3000	HF-4000	HF-6000	HF-8000	HF-10000
Volume (L)		300	400	600	800	1000	1200	1500	2000	3000	4000	6000	8000	10000
Max loading (kg)		150	200	300	400	500	600	750	1000	1500	1800	3000	4000	5000
Speed (rpm)		3-20	3-20	2-20	2-16	2-16	3-12	3-12	3-12	2-8	2-8	2-8	2-6	2-6
Motor power (kW)		2.2	2.2	3	4	4	5.5	5.5	7.5	11	11	15	18.5	18.5
Weight (kg)		500	550	800	850	1200	1650	1650	2000	3000	3500	6000	6000	8600
Dimensions (mm)	H	2033	2040	2194	2462	2585	2761	3027	3135	3446	4360	4851	5067	5393
	H1	-	-	2160	2300	2400	2345	2546	2576	2848	3813	3971	3769	3973
	H2	1630	1680	1361	1496	1563	1645	1846	1837	2048	2813	2933	2969	3073
	H3	600	600	700	800	800	800	900	800	900	1500	800	1200	1200
	L	2125	2225	2608	3075	3188	3479	3618	3869	4120	4470	5223	5535	6068
	L1	473	473	590	710	750	780	780	830	800	800	820	1000	943
	W	1017	1040	1361	1382	1395	1500	1500	1627	1600	2200	2700	2850	2900

Note: Our company can customize products according to user requirements

Single Column Lifting Bin Blender



YouTube QR Code

Application

The single-column lifting bin blender is widely used for mixing different components of powders with powders, powders with granules and granules with granules in the production procedure in the pharmaceutical industry. The machine is provided with such functions as automatic lifting, mixing, falling, etc. It can be equipped with various specifications of bins for mixing operation. It is suitable for mixing materials of different varieties and different batches in large and medium-size pharmaceutical enterprises according to process requirements. Multiple purposes can be realized in one machine.

Features

- ▲ Single column, saving space, with compact structure, stable and reliable operation
- ▲ With interchangeable mixing bins of different volume for various capacity, improving the efficiency, avoiding cross contamination
- ▲ The mixing uniformity is over 99%, the loading coefficient is 0.8 and the bin is easy to clean, no dead corner
- ▲ Meet GMP requirements
- ▲ Adopt HMI and PLC auto control system, can optionally comply 21 CFR Part 11 requirements



Technical Parameter

Item	Model	HLT-100		HLT-200		HLT-300		HLT-400		HLT-600		HLT-800		HLT-1000		HLT-1200	
		Hydraulic	Electric	Hydraulic	Electric	Hydraulic	Electric	Hydraulic	Electric	Hydraulic	Electric	Hydraulic	Electric	Hydraulic	Electric	Hydraulic	Electric
Lifting type		Hydraulic	Electric	Hydraulic	Electric	Hydraulic	Electric	Hydraulic	Electric	Hydraulic	Electric	Hydraulic	Electric	Hydraulic	Electric	Hydraulic	Electric
Bin volume (L)		100	200	300	400	600	800	1000	1200								
Max loading volume (L)		80	160	240	320	480	640	800	960								
Max loading weight (kg)		50	100	150	200	300	400	500	600								
Rotation speed (rpm)		3-20	3-20	3-20	3-15	3-15	3-15	3-12	3-10								
Referenced Weight (kg)		1000	1200	1400	1600	1800	2000	2200	2400								
Total power (kW)		5.2	6	6	6	7	7	7	8.5								
Dimensions (mm)	L	2550	2830	2870	3000	3330	3380	3430	3500								
	H	2525	2850	2625	2850	2725	2900	2775	2950	2825	3000	2875	3050	2925	3050	3025	3100
	H1	700	700	760	800	960	1060	1060	1160								
	H2	1040	1040	1100	1170	1400	1460	1500	1610								
	H3	1450	1900	1450	1900	1500	1960	1580	2000	1720	2160	1840	2260	1840	2260	1940	2360
	W	740	740	740	740	740	740	740	820	740	820	740	820	740	820	740	820
	W1	1480	1680	1800	1940	1340	2540	2660	2820								

Note: Our company can customize products according to user requirements, model with A is for electric lifting system, replacing hydraulic lifting system

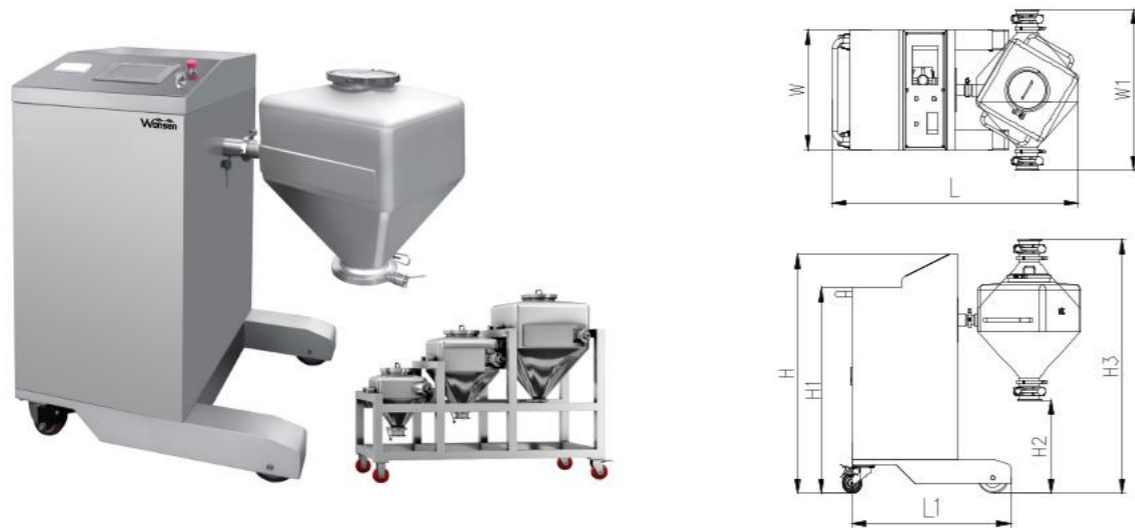
Lab Bin Blender

Application

It is mainly used for R&D mixing different components of dry powders with dry powders, granules with granules, or powders with granules. It is an ideal machine for exploring the best process parameters in material mixing, and an advanced mechanically and electrically integrated lab machine

Features

- ▲ R&D scale
- ▲ With reasonable design, compact structure, space saving
- ▲ With movable wheels with brake
- ▲ With interchangeable mixing bins for various capacity
- ▲ Adopt HMI and PLC auto control system, can optionally comply 21 CFR Part 11 requirements



Technical Parameter

Item	Model	HLS-5	HLS-10	HLS-15	HLS-20	HLS-30	HLS-50	HLS-100	HLS-150
Bin volume (L)		5	10	15	20	30	50	100	150
Max load (kg)		2.5	5	7.5	10	15	25	50	75
Mixing rotation speed (rpm)		3-30	3-30	3-30	3-30	3-25	3-25	3-20	3-20
Total power (kW)		0.37	0.37	0.37	0.37	0.55	0.55	0.75	1.1
Weight (kg)		150	160	170	180	190	200	250	280
Dimensions (mm)	H	1200	1200	1200	1200	1200	1200	1280	1360
	H1	1030	1030	1030	1030	1030	1030	1110	1210
	H2	650	580	550	520	500	440	440	480
	H3	1050	1120	1150	1180	1200	1290	1430	1600
	L	870	1030	1040	1050	1100	1150	1400	1650
	L1	800	800	800	800	800	800	1000	1050
	W	600	600	600	600	600	600	800	800
	W1	400	600	650	700	730	830	1000	1050

Note: Our company can customize products according to user requirements

High-efficiency Coating Machine



YouTube QR Code

Application

The new type auto coating machine is designed for coating process solutions for all kinds of tablets, pills, granules, which can promote the coating production efficiency and guarantee material stability. Reliable process, interchangeable pan design, CIP design and good appearance conform to the requirements of GMP. Varieties of functions make the batch production time shorten, Satisfying different process requirements. It is the best choice for film coating, sugar coating.

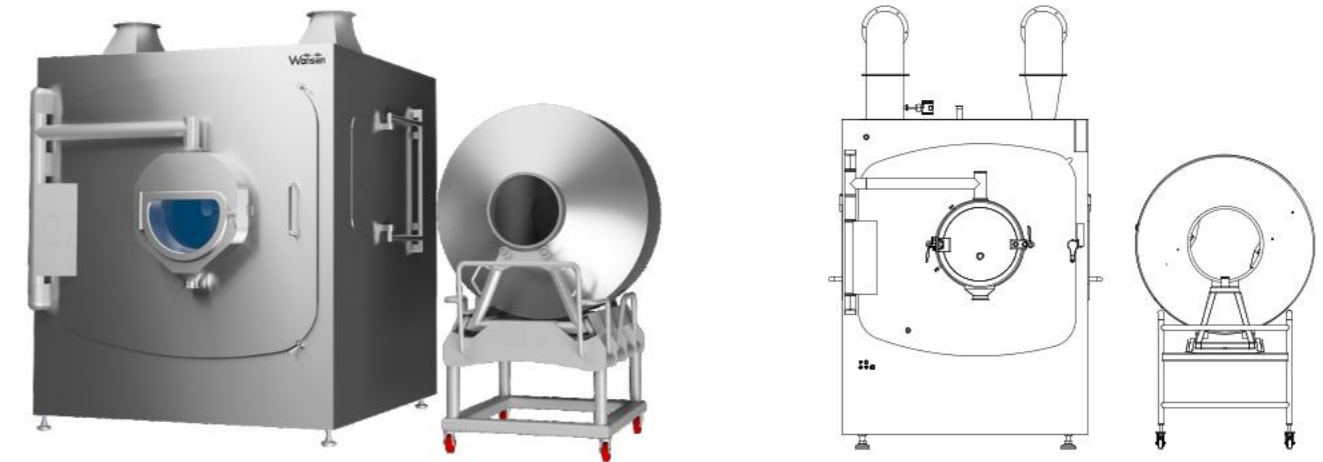
Features

- ▲ Overall open design on the front side
- ▲ Easy cleaning, no dead corner
- ▲ Wide install area and maintenance space and pans can be replaceable
- ▲ Unique airbag seal structure, fully enclosed chamber
- ▲ It adopts HMI and PLC automatic control system, can optionally comply 21 CFR Part 11 requirements



Tipping lifting feeder

- ▲ Achieving smoothly loading tablet into the coating pan
- ▲ Prevent fragments and bracts because of the height difference colliding
- ▲ Auto lifting and tipping, the tablets can slide into the coating pan evenly and slowly



Technical Parameter

Item	Model	BGB-75F	BGB-150F	BGB-250F	BGB-350F	BGB-600F
Production capacity(kg/batch)		75-40-20	150-75-40	250-150-75	350-250-150	600-350
Main machine motor power(kW)		1.5	2.2	3	4	5.5
Drum rotation speed (rpm)		2-24	2-15	2-15	2-15	2-10
Hot air fan power(kW)		1.1	1.1	1.5	2.2	5.5
Exhaust fan power (kW)		4	5.5	7.5	11	15
Peristaltic pump power(kW)		0.04(BT100L)	0.1(WT300F)	0.1(WT300F)	0.1(WT300F)	0.1(WT600F)
Steam consumption(kg/h)		95	95	169	225	252
Air consumption(m ³ /min)		1.18	1.45	2.03	2.03	2.57

Note: Our company can customize products according to user requirements

High-efficiency Coating Machine

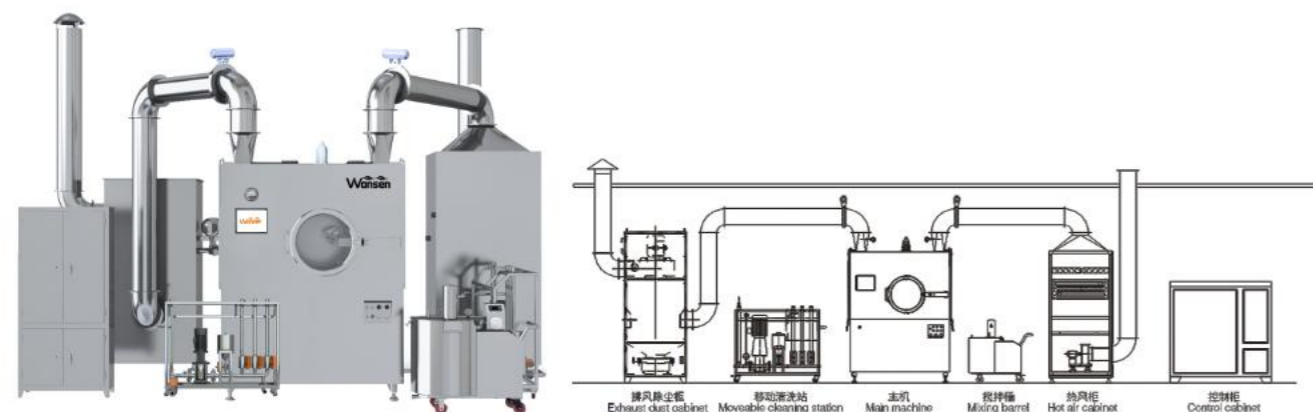


Application

The BGB-D coating machine is mainly used in medicine and food industries. Meeting GMP requirements, it is a kind of mechanically and electrically integrated coating equipment with high efficiency, energy conservation, good safety and good cleanliness for organic film coating, water soluble coating, dripping pill coating, sugar coating, chocolate and candy coating.

Features

- ▲ The streamlined diversion plate improve the rate of finished products, reducing broken edges. The narrow upper surface of the diversion plate design improve the adhesion of excipient, saving the excipient and improving medicine quality.
- ▲ The constant pressure variable peristaltic pump is used to replace the return flow. The rotation radius of the pan changes with the change of pressure, the output solution and spray volume are automatically balanced, the spray system is optimized, the blocking of the spray gun is avoided, the excipient is saved. Easy to clean without any dead corners.
- ▲ It adopts the new type spray gun with even atomizing, large spraying area, adjustable direction. The nozzle is not affected by the loading volume, the anti-blackened device can ensure continuous coating, shorten coating time and save coating excipient.
- ▲ Easy and fast for charging and discharging
- ▲ Both film coating and sugar coating are available
- ▲ Ex-proof system/ dehumidifier system / CIP system are available
- ▲ It adopts HMI and PLC automatic control system, can optionally comply 21 CFR Part 11 requirements.



Technical Parameter

Item	Model	BGB-75D	BGB-150D	BGB-250D	BGB-350D	BGB-600D
Production capacity(kg/batch)		75	150	250	350	600
Main machine motor power(kW)		1.5	2.2	3	4	5.5
Drum rotation speed(rpm)		2-17	2-15	2-15	2-15	2-10
Hot air fan power(kW)		1.1	1.1	2.2	2.2	5.5
Exhaust fan power(kW)		4	5.5	7.5	11	15
Peristaltic pump power(kW)		0.04(BT100L)	0.1(WT300F)	0.1(WT300F)	0.1(WT300F)	0.1(WT600F)
Steam consumption(kg/h)		95	95	169	225	252
Air consumption(m ³ /min)		1.18	1.45	2.03	2.03	2.57
Main machine weight(kg)		550	900	1250	1650	2000
Dimensions(mm)		1200*980*1853	1570*1250*2351	1800*1434*2458	2050*1670*2570	2050*2064*2680
CIP Station	Power (kW)	3	3	3	3	3
	Water consumption(t/h)	10	10	10	10	10

Note: Our company can customize products according to user requirements

Lab Coating Machine

Application

The BGB-S coating machine is mainly used in medicine and food industries. Meeting GMP requirements, it is a kind of mechanically and electrically integrated coating equipment with high efficiency, energy conservation, good safety and good cleanliness for organic film coating, water soluble coating, dripping pill coating, sugar coating, chocolate and candy coating.

Features

- ▲ Suitable for R&D scale
- ▲ Interchangeable coating pans can be replaced according to the different batch size
- ▲ Easy operation of replacing the interchangeable coating pans
- ▲ With compact and integrated structure, air intaking at the clean area, saving space
- ▲ With movable heavy duty wheels with brake
- ▲ It adopts HMI and PLC auto control system, can optionally comply 21 CFR Part 11 requirements



Technical Parameter

Item	Model	BGB-5S	BGB-10S	BGB-20S	BGB-40S
Production capacity(kg/batch)		5-3-1	10-5-3	20-10-5	40-20
Main machine motor power(kW)		0.37	0.55	0.55	1.10
Drum rotation speed (rpm)		3-30	3-30	2-26	2-26
Air inlet fan power (kW)		0.37	0.37	0.37	0.75
Air exhaust fan power (kW)		0.75	1.5	2.2	3
Peristaltic pump power (kW)		0.04(OEM794)	0.04(OEM794)	0.04(BT100)	0.04(BT100)
Electric heating power (kW)		5	10.5	10.5	14.7
Compressed air consumption (m ³ /min)		0.45	0.65	0.65	0.65
Main machine weight (kg)		450	450	500	600

Note: Our company can customize products according to user requirements

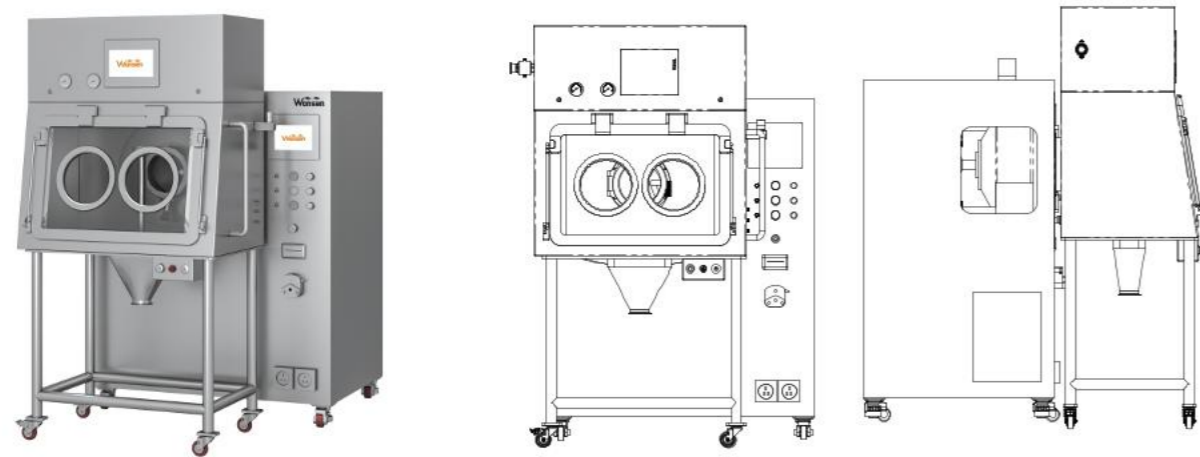
Containment Coating Machine

Application

The containment coating machine is mainly suitable for tablet coating of API materials. The isolation system ensures the safety of operators, materials and environment, and realizes multiple coating process.

Features

- ▲ Containment coating process, complying OEB4 and OEB5
- ▲ Lighting: illuminance≥300lx
- ▲ Reserving detection port of dust particle, floating bacteria and sedimentation bacteria
- ▲ Reserving port for sterilization
- ▲ WIP misting system
- ▲ Push-push filter for getting rid of dust
- ▲ Interchangeable coating pans can be replaced according to the different batch size
- ▲ It adopts HMI and PLC automatic control system, can optionally comply 21 CFR Part 11 requirements



Technical Parameter

Item	Model	BGB-5M	BGB-10M	BGB-20M	BGB-40M
Production capacity (kg/batch)		5-3-1	10-5-3	20-10-5	40-20
Main machine motor power (kW)		0.37	0.55	0.55	1.10
Drum rotation speed (rpm)		3-30	3-30	2-26	2-26
Hot air fan power (kW)		0.37	0.37	0.37	0.75
Exhaust fan power (kW)		0.75	1.5	2.2	3
Peristaltic pump power(kW)		0.04(BT100L)	0.04(BT100L)	0.04(BT100L)	0.04(BT100L)
Electric heating power (kW)		5	10.5	10.5	14.7
Steam consumption (kg/h)		67	90	90	90
Air consumption (m ³ /min)		0.45	0.65	0.65	0.65
Main machine weight (kg)		450	450	500	600

Note: Our company can customize products according to user requirements

Fixed Lifting Machine



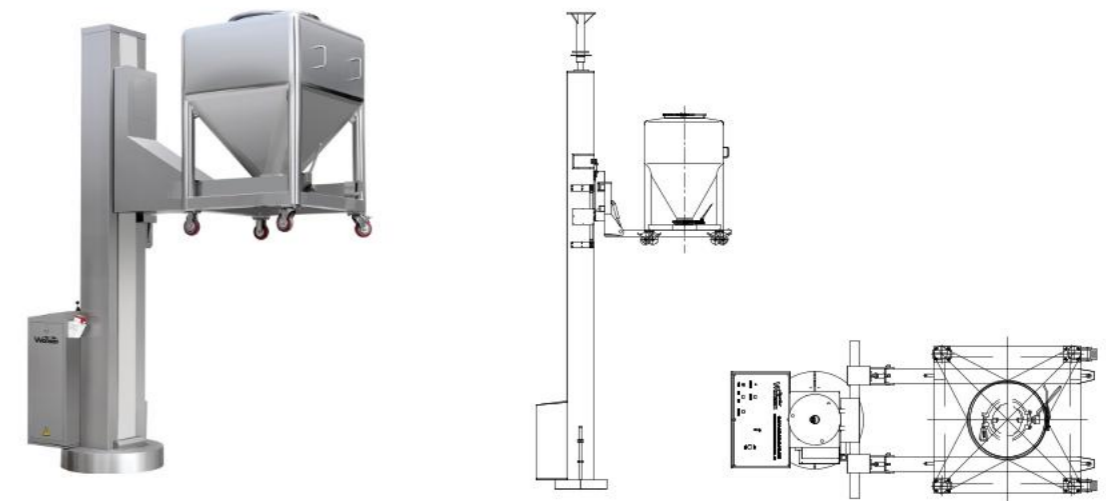
YouTube QR Code

Application

The machine is mainly used for conveying and loading solid materials in the pharmaceutical industry. It can work with the mixer, tablet pressing, capsule filling, packing machines, etc. It is also widely used in such industries as medicine, chemical industry, food, etc.

Features

- ▲ With fixed and positioning design, safe and stable performance
- ▲ Special design to loading materials for tablet pressing, capsule filling and packing machines
- ▲ Ease for lifting IBC bins to loading in a closed system
- ▲ Anti-falling device
- ▲ Labor saving
- ▲ It can turn 180°
- ▲ Hydraulic and electric lifting are alternative
- ▲ Electric lifting model can adopt HMI and PLC control system, can optionally comply 21 CFR Part 11 requirements



Technical Parameter

Model	Lifting type	Max net loading(kg)	Power(kW)	H	H1	L
YTG-200	Hydraulic	200	3	Designed according to URS		
	Electric		2			
YTG-300	Hydraulic	300	3			
	Electric		2			
YTG-400	Hydraulic	400	3			
	Electric		2			
YTG-500	Hydraulic	500	3			
	Electric		2			
YTG-600	Hydraulic	600	3			
	Electric		2			
YTG-800	Hydraulic	800	3			
	Electric		2			
YTG-1000	Hydraulic	1000	3			
	Electric		2			
YTG-1200	Hydraulic	1200	3			
	Electric		2			
YTG-1500	Hydraulic	1500	3			
	Electric		2			
YTG-2000	Hydraulic	2000	5.5			
	Electric		3			
YTG-2500	Hydraulic	2500	5.5			
	Electric		3			

Note: the above motor power is determined according to the actual situation (lifting height, net loading)

Moveable Lifting Machine

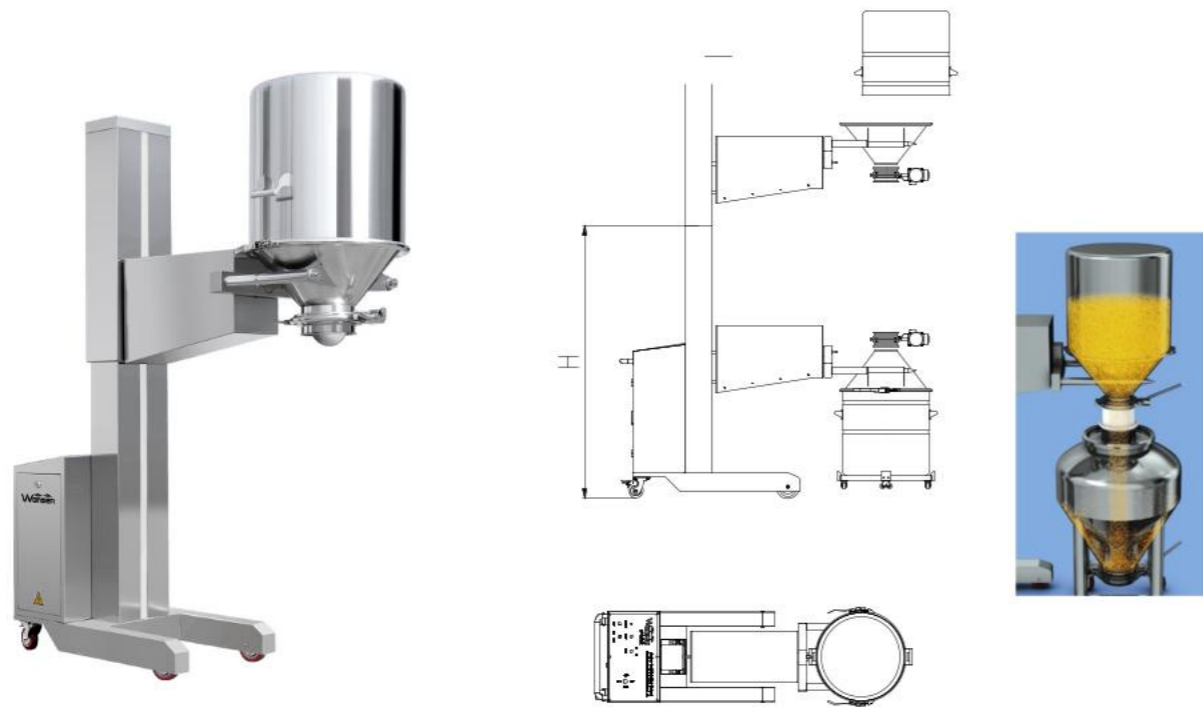


Application

The machine is mainly used for conveying and loading solid materials in the pharmaceutical industry. It can work with the mixer, tablet pressing, coating machine, capsule filling and packing machines, etc. It is also widely used in medicine, chemical, food industries and so on.

Features

- ▲ With movable design
- ▲ Special design to loading materials for coating and packing machines
- ▲ Ease for lifting IBC drums to loading in a closed system
- ▲ Anti-falling device
- ▲ Labor saving
- ▲ It can rotate IBC drums 180° to discharge
- ▲ Hydraulic and electric lifting are alternative



Technical Parameter

Model	Lifting type	Net load (kg)	Power (kW)	H	L
YTY-100	Hydraulic	100	1.5	Designed according to user requirements	
	Electric				
YTY-150	Hydraulic	150			
	Electric				

Note: Our company can customize products according to user requirements.

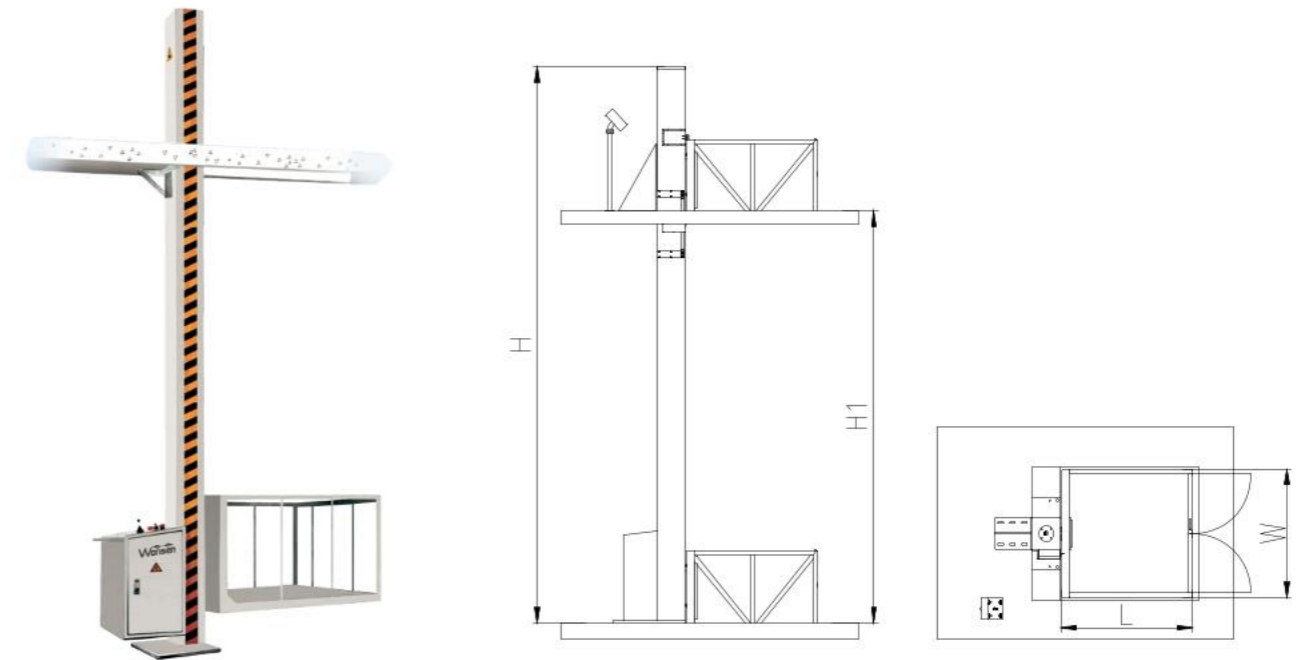
Lifting Machine Among Floors

Application

The machine is mainly used for transferring among floors of the solid materials (bags or bins) in the pharmaceutical industry. The machine effectively reduces cross contamination of dust, lower labor intensity and fully meets GMP requirements for medicine production. It is an ideal material conveying machine used in pharmaceutical, chemical, and food industries.

Features

- ▲ Special design for material transfer among different floors
- ▲ Safe and stable performance
- ▲ Labor saving
- ▲ Anti-falling system and safety lock
- ▲ Provided with overload self-protection function and alarm indication function



Technical Parameter

Model	Net load(kg)	Hydraulic station volume (L)	Hydraulic station power (kW)	H	H1	W	L
CT-200	200	31-54	3	Designed according to user requirements			
CT-300	300						
CT-400	400						
CT-500	500						
CT-600	600						
CT-800	800						
CT-1000	1000						
CT-1200	1200						
CT-1500	1500						

Note: Our company can customize products according to user requirements.

Multifunctional Bin Cleaning Machine



YouTube QR Code

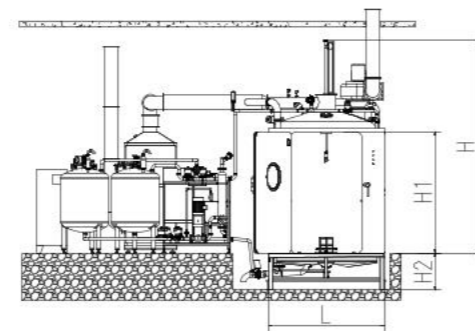
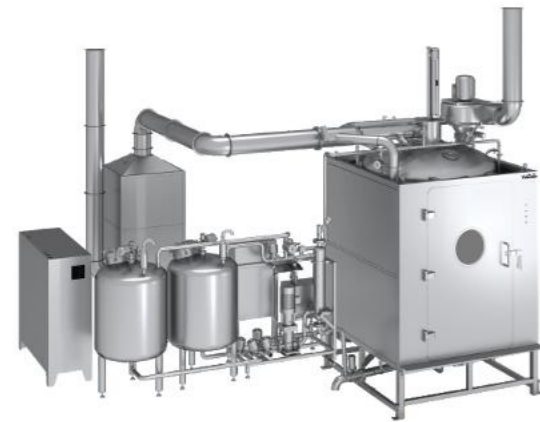
Application

The ZLXHD series bin cleaning machine is mainly used for cleaning stainless steel drums, IBC mixing and transferring bins in pharmaceutical, chemical, food and so on industries.

The ZLXHD series bin cleaner can effectively clean foreign matters remaining on the inner and outer surfaces of the bin to avoid cross contamination of various ingredients during the production. It is an indispensable machine in pharmaceutical enterprises. It is also one of the necessary equipment for pharmaceutical enterprises to meet the requirements of GMP in the production process of solid pharmaceutical preparations.

Features

- ▲ Providing uniform cleaning standard for the cleaning bins and easily making the traceability and certification of the cleaning process
- ▲ Improving the production efficiency
- ▲ Reducing labor intensity of workers
- ▲ Integrating cleaning, drying and cooling functions
- ▲ Adopting HMI and PLC control during the whole process, which is with high degree of automation and simple operation, complying 21CFR Part11 requirements



Technical Parameter

Item	Model	ZLXHD-600	ZLXHD-800	ZLXHD-1000	ZLXHD-1200	ZLXHD-1500	ZLXHD-2000
Total power(kw)		11.25	11.25	11.25	11.25	11.25	11.25
Pump power(kw)		3	3	3	3	3	3
Pump flow(t/h)		10	10	10	10	10	10
Pump pressure (MPa)		0.6	0.6	0.6	0.6	0.6	0.6
Air inlet fan power(kw)		2.2	2.2	2.2	2.2	2.2	2.2
Air exhaust fan power(kw)		5.5	5.5	5.5	5.5	5.5	5.5
Steam pressure(MPa)		0.3-0.5	0.3-0.5	0.3-0.5	0.3-0.5	0.3-0.5	0.3-0.5
Steam flow(kg/h)		800	800	800	800	800	800
Compressed air pressure(MPa)		0.4-0.6	0.4-0.6	0.4-0.6	0.4-0.6	0.4-0.6	0.4-0.6
Compressed air consumption (m ³ /min)		2	2	2	2	2	2
Weight(t)		4	4	4.2	4.2	4.5	4.5
Dimensions (mm)	L	2000	2000	2200	2200	2200	2200
	H	2820	3000	3100	3240	3390	3730
	H1	1600	1770	1800	1950	2100	2445
	H2	700	700	700	700	700	700

Note: Our company can customize products according to user requirements.

Double Chamber Bin Cleaning Machine



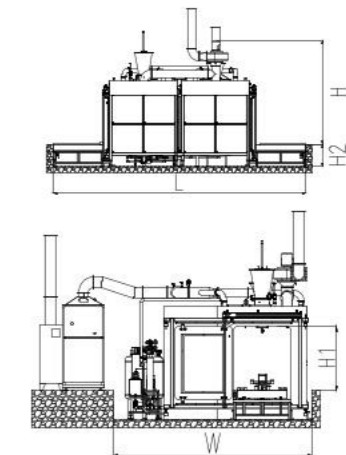
YouTube QR Code

Application

The ZLXHS series double chamber bin cleaning machine is mainly used for cleaning stainless steel drums, IBC transferring and mixing bins in pharmaceutical, chemical, food and so on industries. The ZLXHS series double chamber bin cleaning machine can effectively clean foreign matters remaining on the inner and outer surfaces of the bin to avoid cross contamination of various ingredients during the production. It is an indispensable machine in pharmaceutical enterprises. It is also one of the necessary equipment for pharmaceutical enterprises to meet the requirements of GMP in the production process of solid pharmaceutical preparations.

Features

- ▲ With two chambers, one for cleaning, another for drying and cooling, which is more efficient
- ▲ Providing uniform cleaning standard for the cleaning bins and easily making the traceability and certification of the cleaning process
- ▲ Improving the production efficiency
- ▲ Reducing labor intensity of workers
- ▲ Integrating cleaning, drying and cooling functions
- ▲ Adopting HMI and PLC control during the whole process, which is with high degree of automation and simple operation, complying 21CFR Part11 requirements



Technical Parameter

Item	Model	ZLXHS-600	ZLXHS-800	ZLXHS-1000	ZLXHS-1200	ZLXHS-1500	ZLXHS-2000
Total power(kw)		10.9	10.9	10.9	10.9	10.9	10.9
Pump power(kw)		3	3	3	3	3	3
Pump flow(t/h)		10	10	10	10	10	10
Pump pressure(MPa)		0.6	0.6	0.6	0.6	0.6	0.6
Air inlet fan power (kW)		2.2	2.2	2.2	2.2	2.2	2.2
Air exhaust fan power (kW)		5.5	5.5	5.5	5.5	5.5	5.5
Steam pressure (MPa)		0.3-0.5	0.3-0.5	0.3-0.5	0.3-0.5	0.3-0.5	0.3-0.5
Steam flow (kg/h)		800	800	800	800	800	800
Compressed air pressure (MPa)		0.4-0.6	0.4-0.6	0.4-0.6	0.4-0.6	0.4-0.6	0.4-0.6
Compressed air consumption(m ³ /min)		3	3	3	3	3	3
Weight (t)		6.6	6.6	7	7	7.2	7.2
Dimensions (mm)	L	7000	7000	8100	8100	8100	8100
	H	2820	3000	3000	3240	3390	3730
	W	4100	4100	4100	4100	4600	4600
	H1	1600	1770	1800	1950	2100	2445
	H2	700	700	700	700	700	700

Note: Our company can customize products according to user requirements.

Moveable Cleaning Machine

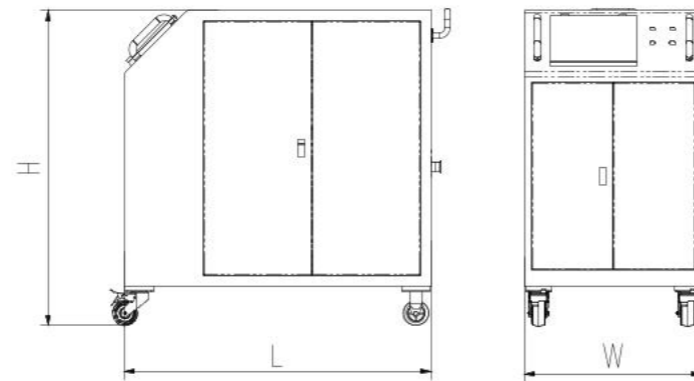


Application

With compact structure, convenient operation, good sealing performance and high adaptability, the moveable cleaning machine produced by our company is used for cleaning industrial equipment and other parts that require cleaning in medicine, food and fine chemical industries. It is a processing machine designed and manufactured in accordance with GMP requirements.

Features

- ▲ Equipped with three water pipe inlets for users to select. The water outlets can be connected to tees or crosses to clean several machines simultaneously, which is convenient and easy to operate.
- ▲ Equipped with a cleaning nozzle that can turn for 360° and a high-pressure water gun. The cleaning procedure can be completed through the operation by just one person.
- ▲ With movable wheels with brake
- ▲ Concise structure and easy installation and disassembly
- ▲ The stainless steel cover is optional
- ▲ Button panel and HMI&PLC control is alternative



Technical Parameter

Item	Model	QXY-5	QXY-10
Flow (t/h)		5	10
Motor power(kW)		1.5	3
Pressure(MPa)		0.6	0.6
Weight(kg)		200	220
Dimensions (mm)	L	1300	1300
	W	700	700
	H	1250	1250

Note: Our company can customize products according to user requirements.

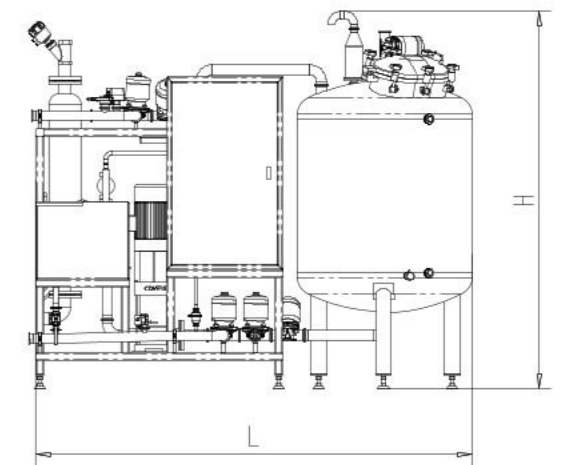
Auto CIP Machine

Application

The machine is mainly used for online cleaning for equipment in the production process of solid preparations, used together with equipment such as fluid bed machine, coating machine and rapid mixer granulator. It is also suitable for the cleaning of industrial equipment such as pharmaceutical, food, fine chemicals, etc. It is a cleaning equipment designed and manufactured in accordance with GMP requirements.

Features

- ▲ Optionally equipped with SWHE heat exchanger, if users have no hot water source
- ▲ Optionally equipped with water storage tanks, if users have no enough water flow or pressure
- ▲ The outlet can be connected to several different equipment for online cleaning
- ▲ Cleaning procedures, processes, etc. can be set on the touch screen, with high degree of automation program, and the operation is simple, can optionally complying 21CFR Part 11 requirements



Technical Parameter

Item	Model	ZQX-5	ZQX-10
Pump flow(t/h)		5	10
Pump Power(kW)		1.5	3
Pump pressure(MPa)		0.6	0.6
Steam pressure(MPa)		0.3-0.5	0.3-0.5
Steam flow(kg/h)		400	800
Equipment(kg)		450	500
Dimensions (mm)	L	2150	2265
	W	900	950
	H	1850	1960

Note: Our company can customize products according to user requirements.

Vertical Bin Cleaning Machine

Application

This machine is mainly used for transferring and mixing bins cleaning in the production process of solid preparations. The lifting arm extends the cleaning ball into the bin for cleaning. It can be adapted to bins of different specifications and is an ideal equipment for bin cleaning.

Features

- ▲ Manual lifting and automatic lifting is alternative
- ▲ Suitable for cleaning IBC bins of different specification sizes
- ▲ HMI and PLC control, cleaning easily, can optionally complying 21CFR Part 11 requirements



Technical Parameter

Item	Model	QXD-5	QXD-10
Pump flow(t/h)		5	10
Pump power(kW)		1.5	3
Pump pressure(MPa)		0.6	0.6
Weight(kg)		130	130
Dimensions (mm)	L	1700	1700
	H	2600	2600

Note: Our company can customize products according to user requirements.

IBC Bins

SINGLE COLUMN LIFTING MIXING BIN



Technical Parameter

Model	Volume (L)	W	H	H1	H2	A	t	Φ1	Φ2	DN	Weight (kg)
HZTD-100	100	550	920	635	180	640	2	300	100	150	155
HZTD-200	200	700	960	700	150	790	2	400	100	200	185
HZTD-300	300	720	1150	760	180	820	2.5	400	125	200	200
HZTD-400	400	800	1190	800	147	910	2.5	400	125	200	220
HZTD-600	600	1000	1300	960	161	1120	2.5	500	125	200	245
HZTD-800	800	1000	1500	960	150	1120	2.5	500	125	200	250
HZTD-1000	1000	1100	1630	1060	181	1220	3	500	125	200	265
HZTD-1200	1200	1200	1740	1160	200	1320	3	500	125	200	280

AUTOMATIC LIFTING MIXING BIN



Technical Parameter

Model	Volume (L)	W	H	H1	H2	t	Φ1	Φ2	DN	Weight (kg)
HZT-400	400	800	1270	1210	180	2.5	400	125	200	150
HZT-600	600	1000	1280	1210	130	2.5	400	125	200	185
HZT-800	800	1000	1480	1420	130	2.5	400	125	200	200
HZT-1000	1000	1180	1490	1430	130	3	500	150	200	245
HZT-1200	1200	1180	1640	1580	130	3	500	150	200	260
HZT-1500	1500	1180	1850	1780	130	3	500	150	200	280
HZT-2000	2000	1180	2210	2130	130	3	500	150	200	310

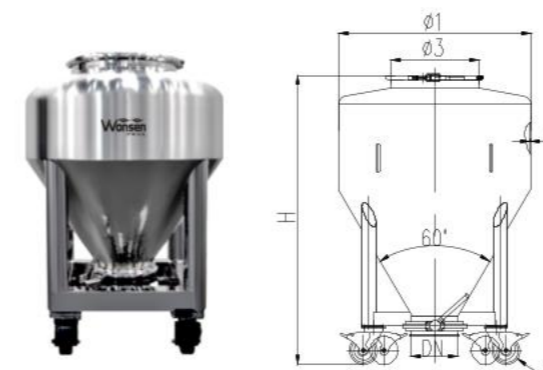
SQUARE CONE IBC BIN



Technical Parameter

Model	Volume (L)	W	H	H1	t	Φ1	Φ2	DN	Weight (kg)
ZT-200	200	600	1140	185	2	400	125	150	145
ZT-300	300	800	1180	210	2.5	400	125	200	160
ZT-400	400	800	1320	220	2.5	400	125	200	180
ZT-600	600	1000	1450	230	2.5	500	125	200	200
ZT-800	800	1000	1650	230	2.5	500	125	200	220
ZT-1000	1000	1200	1590	200	2.5	500	150	250	262
ZT-1200	1200	1200	1720	200	2.5	500	150	250	280
ZT-1500	1500	1200	1950	200	2.5	500	150	250	315
ZT-1800	1800	1200	2160	200	3	500	150	250	335
ZT-2000	2000	1200	2290	200	3	500	150	250	370

ROUND CONE IBC BIN



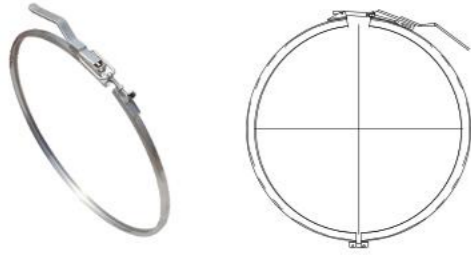
Technical Parameter

Model	Volume (L)	H	t	Φ1	Φ2	Φ3	DN	Weight (kg)
ZTY-200	200	1050	2	750	125	400	200	89
ZTY-400	400	1287	2.5	850	125	400	200	126
ZTY-600	600	1457	2.5	1000	125	500	200	178
ZTY-800	800	1530	2.5	1100	125	500	200	190
ZTY-1000	1000	1615	2.5	1250	150	500	250	262

Accessories

DRUM CLAMP

Clamp for drum

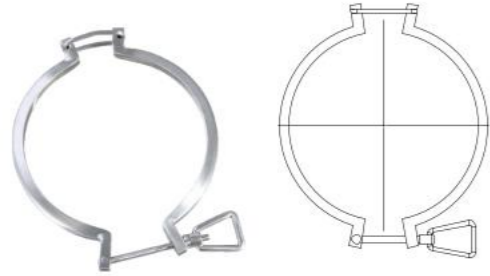


Technical Parameter

Model	DN
KGT-500	500

BUTTERFLY VALVE CLAMP

Clamp for butterfly valve

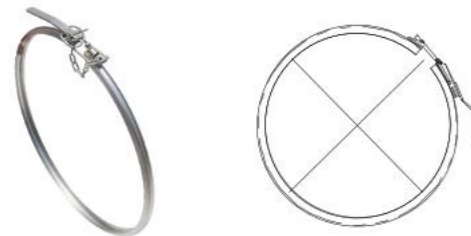


Technical Parameter

Model	DN
KGF-150	150
KGF-200	200
KGF-250	250

BIN CLAMP

Clamp for bin



Technical Parameter

Model	DN
KGD-400	400
KGD-500	500

PIPE CLAMP

For pipeline connection

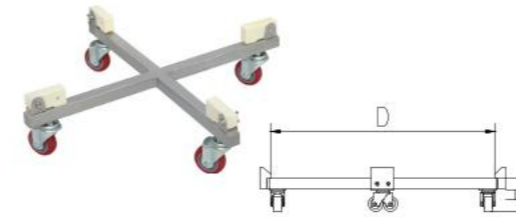


Technical Parameter

Model	D
KGG-4	119
KGG-6	168
KGG-8	218
KGG-10	268
KGG-12	319

CROSS CART

For drum transferring



Technical Parameter

Model	Main structural dimensions		
	ΦD	H	Φd
LTC-50	400	160	75
LTC-100	500	160	75
LTC-150	585	160	75

STAINLESS STEEL IBC DRUM

For pharma lifter and material transferring



Technical Parameter

Model	Main structural dimensions	
	ΦD	H
LT-50	400	400
LT-100	500	500
LT-150	585	600

VACUUM DISCHARGER

For bin/container vacuum discharging

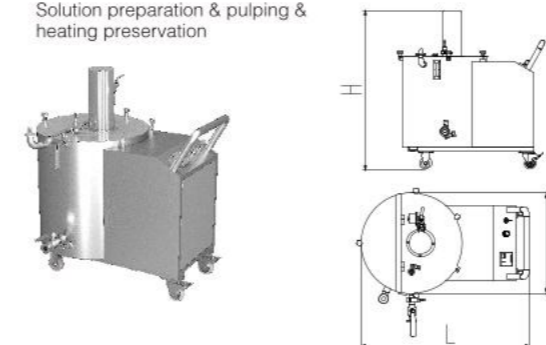


Technical Parameter

Model	Main structural dimensions		
	ΦD	ΦD1	ΦD2
ZCQ-150-38	150	38	168
ZCQ-150-50	150	50	168
ZCQ-200-38	200	38	218
ZCQ-200-50	200	50	218
ZCQ-200-63	200	63	218
ZCQ-250-50	250	50	268
ZCQ-250-63	250	63	268

SOLUTION MIXING TANK (REACTOR)

Solution preparation & pulping & heating preservation



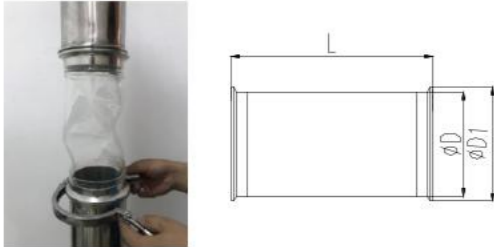
Technical Parameter

Model	Main structural dimensions			Volume
	L	W	H	L
JBT-30	800	840	840	30
JBT-60	890	985	985	60
JBT-100	940	1070	1070	100
JBT-150	970	1175	1175	150
JBT-200	1060	1270	1270	200
JBT-250	1130	1270	1270	250

Accessories

SILICONE SOFT CONNECTING TUBE

Connecting with bin to charge material



Technical Parameter

Model	Main structural dimensions		
	ΦD	ΦD1	H
DJL-150	159	183	Customized
DJL-200	219	234	
DJL-250	254	268	

α β VALVE

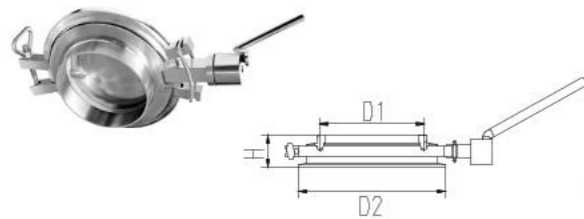


Technical Parameter

Interface size	2.0", 2.5", 3.0", 4.0", 6.0", 8.0"	
Interface standard	Tri-clamp, PN6/PN10 Flange	
Material	Valve material	316L(Material contact parts) 304(Remaining parts)
	Sealing material	White fluorinated rubber(Standard), Meet FDA requirements Ethylene-Propylene-Diene Monomer, Silicone rubber, Perfluoro rubber(Optional)
Operating mode	Manual, Automatic	
Seal grade	OEB 4(OEL≤10μg/m ³)	
Pressure rating	-0.1~+0.5Mpa	
Sterilization method	SIP	
Anti-explosion level	ATEX II2 GD T4	
Optional accessories	Active pressure plug, active protection plug, active cleaning unit, passive pressure cap, passive protective cover, leaned part	
Surface treatment	Ra < 0.4, Standard(Material contact parts)	
	Ra < 0.8(Remaining parts)	

BUTTERFLY VALVE

Connecting with bin to discharge and control material



Technical Parameter

Model	Main structural dimensions		
	ΦD1	ΦD2	H
DF-150	150	168	55
DF-200	200	218	55
DF-250	250	268	60

SUB-FEEDING BIN COVER

Connecting with bin to sub-feed material



Technical Parameter

Model	Main structural dimensions		
	ΦD	ΦD1	Φd
FLG-400-150	150	400	38
FLG-400-200	200	400	38
FLG-400-250	250	400	38
FLG-500-150	150	500	38
FLG-500-200	200	500	38
FLG-500-250	250	500	38